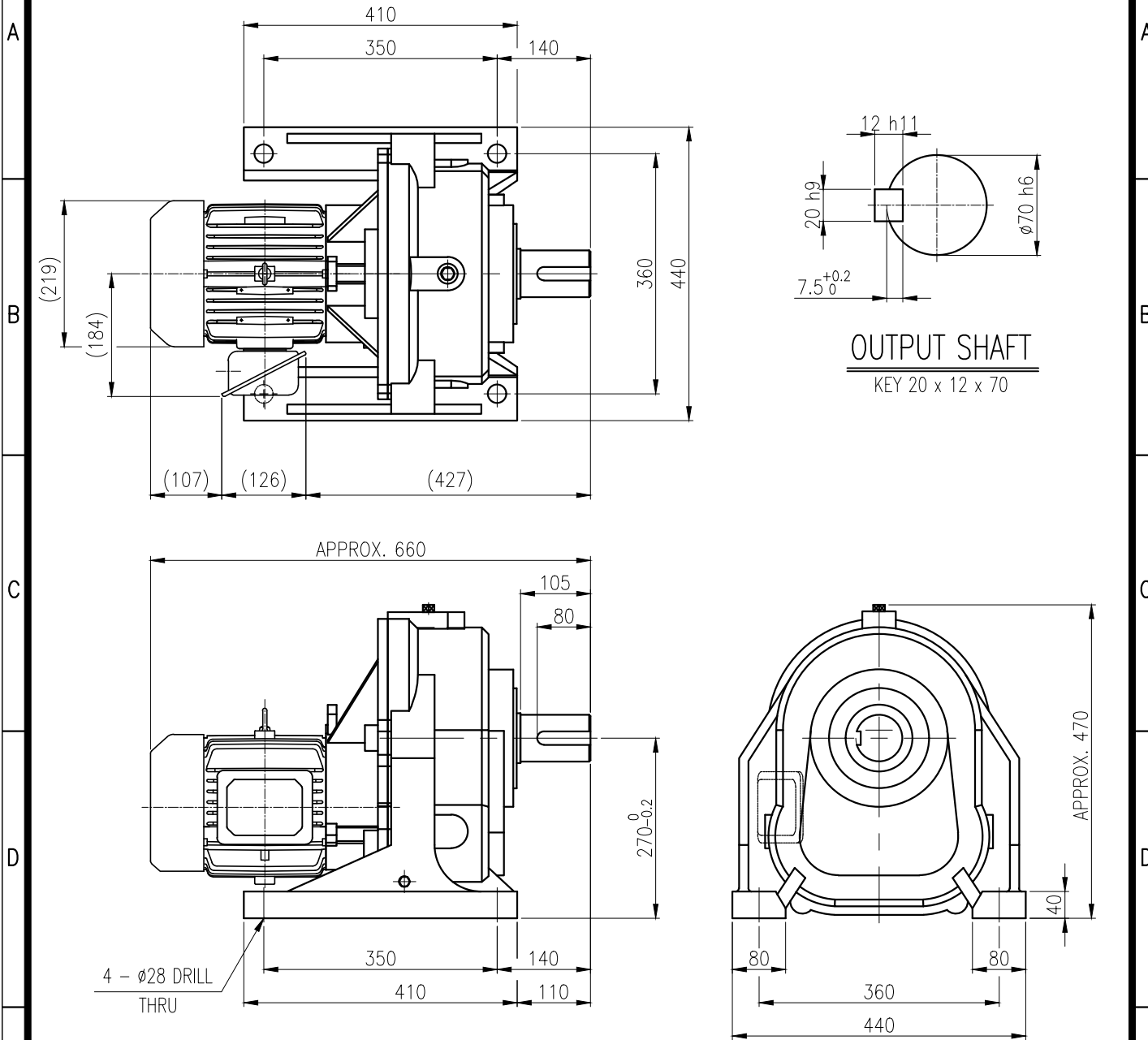


1	2	3	4	5
No.	NAME	MATERIAL	DWG/MATL No.	CODE
				Q'TY
				0
			SIZE	WEIGHT
				REMARK



			BEARING		
			INPUT SHAFT	6205ZZ 6207ZZ	
	OIL SEAL		2ND PINION	6305ZZ 6306ZZ	GREASE : NLGI(EP)00
	MOTOR SHAFT	D(M) 35 x 47 x 7	3RD PINION	6307ZZ 6308ZZ	ABOUT 3.0 kg
	OUTPUT SHAFT	D(M) 75 x 100 x 13	OUTPUT SHAFT	6311ZZ 21315	WEIGHT 163 kg

		DWG NAME		외형도 OUTLINE DIMENSION			
		DWG No.		E K 2 D 0 0 7 6 7 6 H 0 0 0 1		UNIT	mm
						SCALE	1:1
No.	DATE	DESCRIPTION of REVISION		DESIGNED	CHECKED	REVIEWED	APPROVED
				2019.01.21	2019.01.21	2019.01.21	2019.01.21
				하슬기	문병선	박희성	최성민
						DATE	2019-01-21
						REVISION No.	01
						THIRD ANGLE PROJECTION	
						REF. No.	-
						A	

The information written in this drawing is HYOSUNG HEAVY INDUSTRIES's property, and may not be disclosed and/or reproduced without the prior official permission of HYOSUNG HEAVY INDUSTRIES Corp.

이 도면상에 표시된 정보는 호성중공업(주)의 소유이며 당사의 사전 서면동의 없이 무단사용을 금합니다.