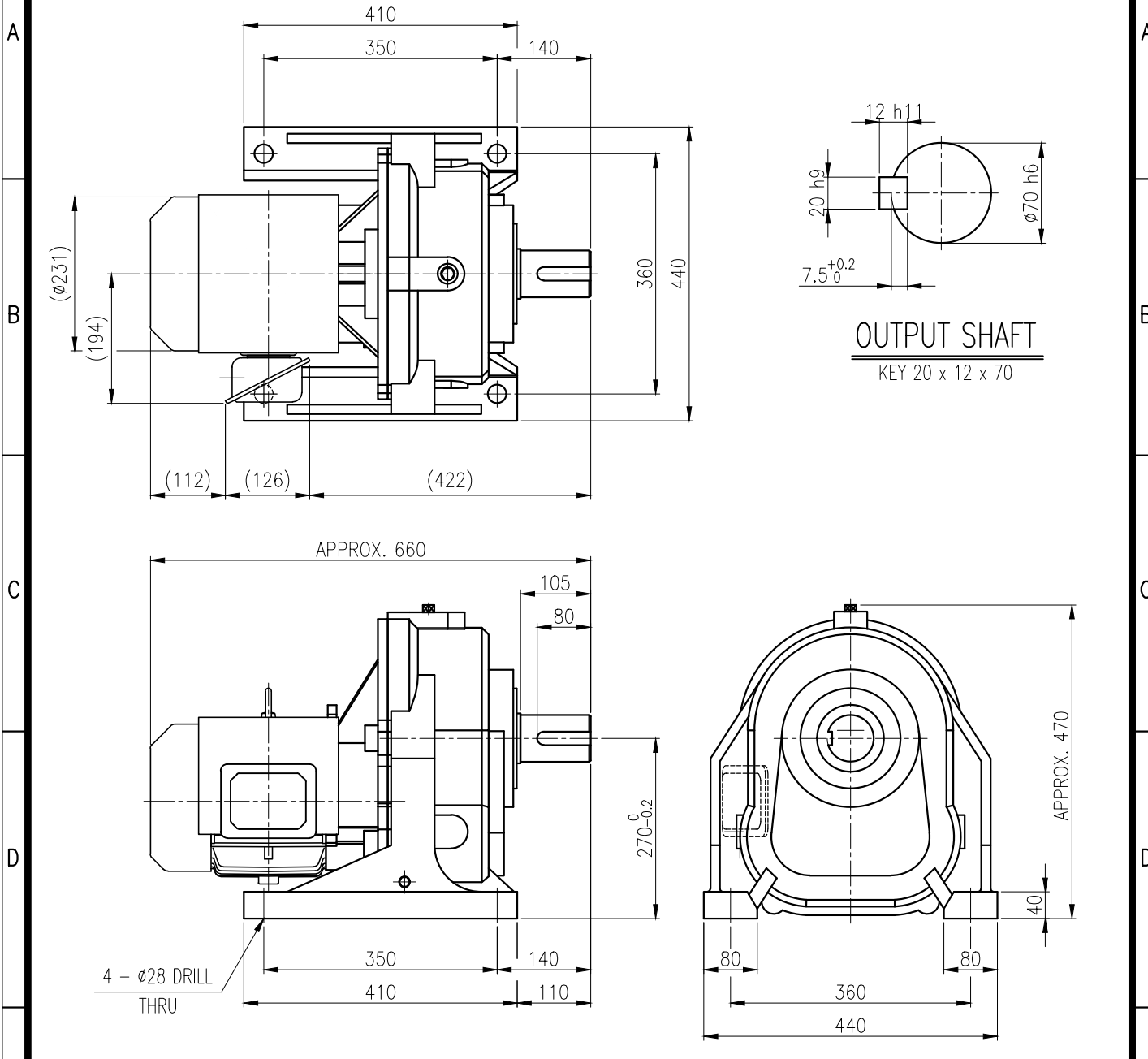


1	2	3	4	5
No.	NAME	MATERIAL	DWG/MATL No.	CODE
				Q'TY
				0
			SIZE	WEIGHT
				REMARK



OUTPUT SHAFT
KEY 20 x 12 x 70

		BEARING			
		INPUT SHAFT	6206ZZ	6207ZZ	
OIL SEAL		2ND PINION	6306ZZ	6306ZZ	GREASE : NLGI(EP)00
MOTOR SHAFT	D(M) 35 x 47 x 7	3RD PINION	6307ZZ	6308ZZ	ABOUT 3.0 kg
OUTPUT SHAFT	D(M) 75 x 100 x 13	OUTPUT SHAFT	6311ZZ	21315	WEIGHT 168 kg

		외형도 OUTLINE DIMENSION			
		DWG No. EK2DO07675W0001		UNIT	mm
				SCALE	1:1
No.	DATE	DESIGNED	CHECKED	REVIEWED	APPROVED
		2019.01.21	2019.01.21	2019.01.21	2019.01.21
		하슬기	문병선	박희성	최성민
DESCRIPTION of REVISION		DATE	2019-01-21		
		REVISION No.	01		
		THIRD ANGLE PROJECTION			
TYPE F1HM_27_3.7kW_75~120:1_프리미엄		REF. No.	-		



A4(210X297mm)
FORM
CE-14-0100-444
2013.11.20

(A)

이 도면상에 표시된 정보는 호성중공업(주)의 소유이며 당사의 사전 서면동의 없이 무단사용을 금합니다.