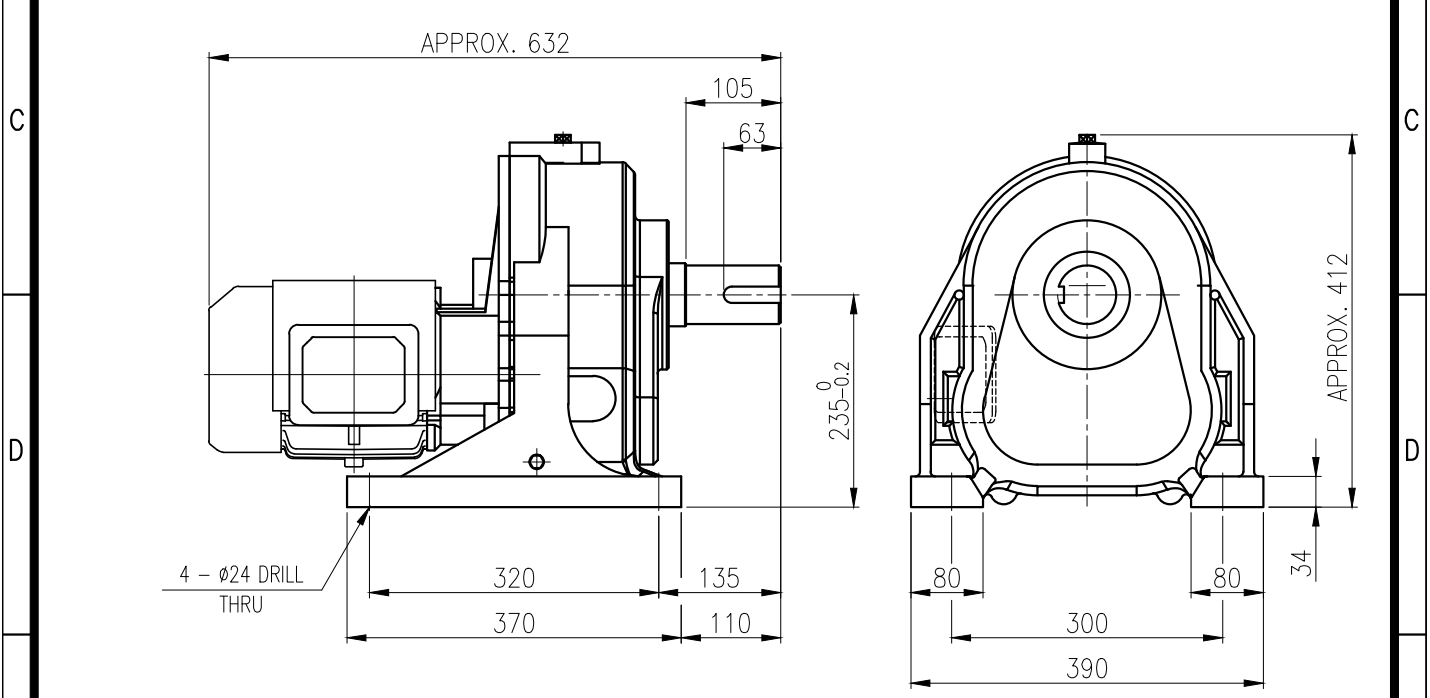
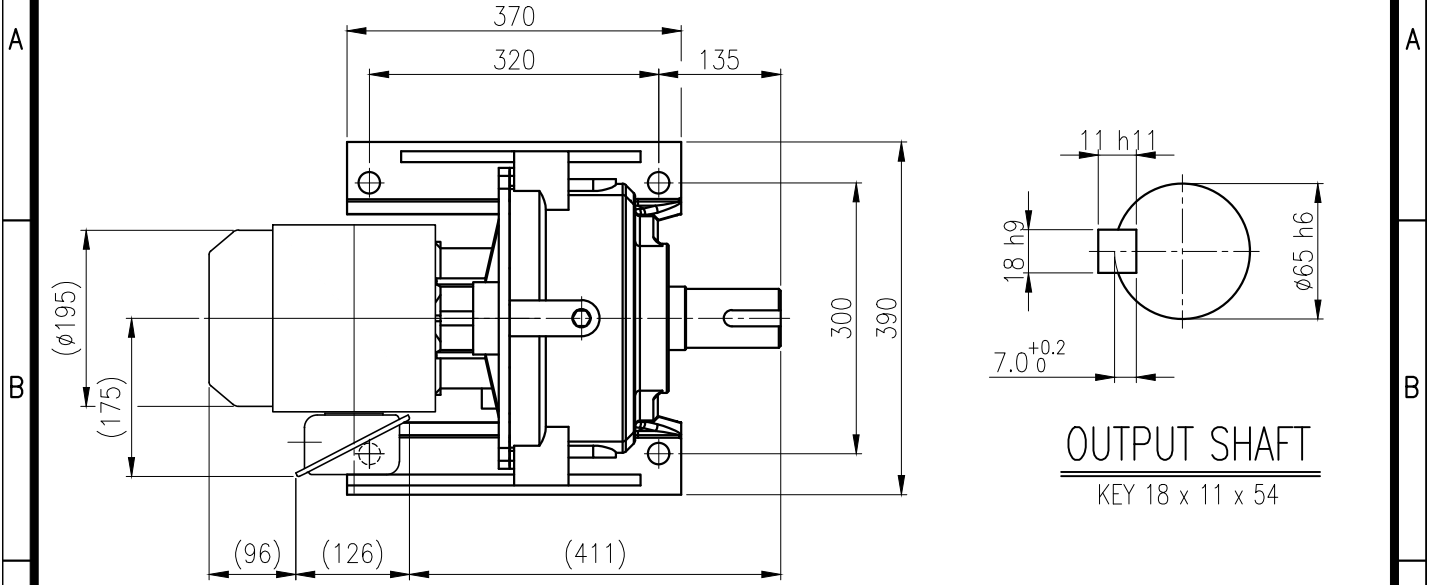


1	2	3	4	5				
No.	NAME	MATERIAL	DWG/MATL No.	CODE	Q'TY	SIZE	WEIGHT	REMARK
					0			



		BEARING			
		INPUT SHAFT	6204ZZ	6205ZZ	
OIL SEAL		2ND PINION	6204ZZ	6205ZZ	GREASE : NLGI(EP)00
MOTOR SHAFT	D(M) 25 x 38 x 8	3RD PINION	6207ZZ	6309ZZ	ABOUT 2.3 kg
OUTPUT SHAFT	D(M) 70 x 95 x 13	OUTPUT SHAFT	PM5060	22214	WEIGHT 116 kg

		DWG NAME 외형도 OUTLINE DIMENSION			
		DWG No. EK2DO07674W0001		UNIT	mm
				SCALE	1:1
No.	DATE	DESIGNED	CHECKED	REVIEWED	APPROVED
		2019.01.21	2019.01.21	2019.01.21	2019.01.21
		하슬기	문병선	박희성	최성민
DESCRIPTION of REVISION		DATE	2019-01-21		
		REVISION No.	01		
		THIRD ANGLE PROJECTION			
TYPE F1HM_23_1.5kW_100~120:1_프리미엄		REF. No.	-		
A4(210X297mm) FORM CE-14-0100-444 2013.11.20		HYOSUNG HEAVY INDUSTRIES			

이 도면상에 표시된 정보는 호성중공업(주)의 소유이며 당사의 사전 서면동의 없이 무단사용을 금합니다.