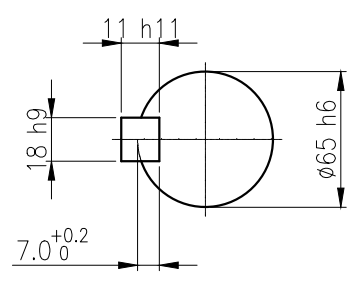
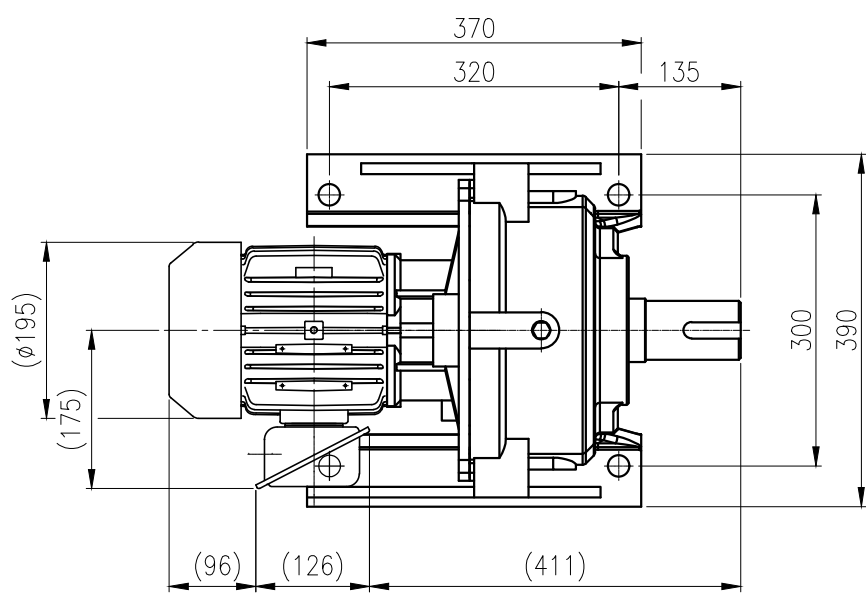


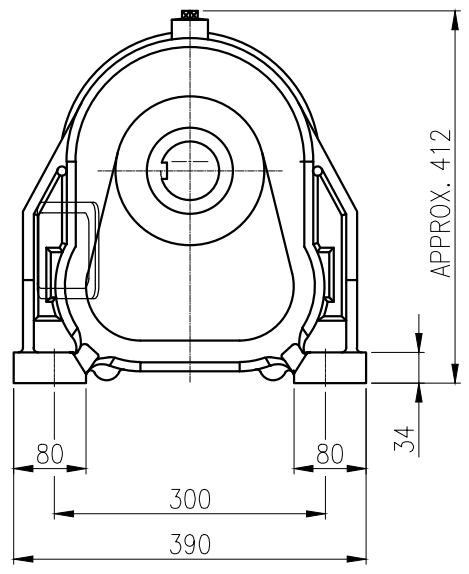
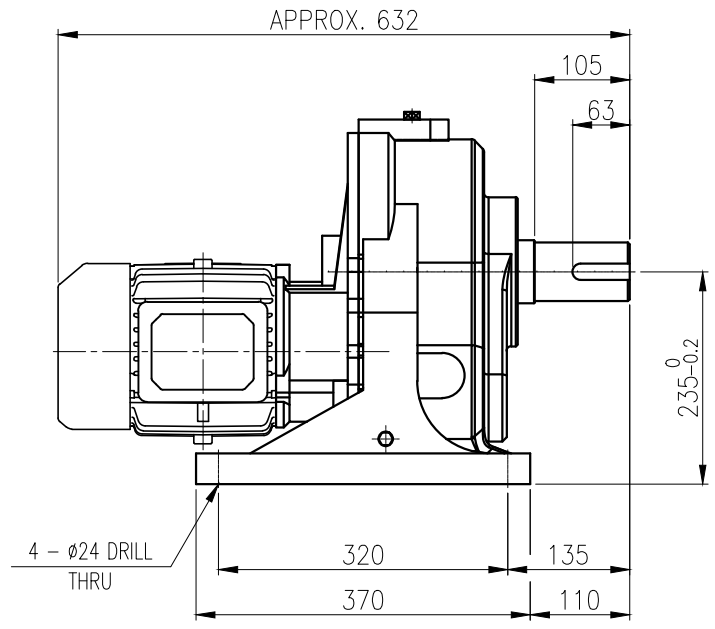
1	2	3	4	5				
No.	NAME	MATERIAL	DWG/MATL No.	CODE	Q'TY	SIZE	WEIGHT	REMARK
					0			

A  
B  
C  
D  
E  
F

A  
B  
C  
D  
E  
F



**OUTPUT SHAFT**  
KEY 18 x 11 x 54



		BEARING			
		INPUT SHAFT	6204ZZ	6205ZZ	
OIL SEAL		2ND PINION	6204ZZ	6205ZZ	GREASE : NLGI(EP)00
MOTOR SHAFT	D(M) 25 x 38 x 8	3RD PINION	6207ZZ	6309ZZ	ABOUT 2.3 kg
OUTPUT SHAFT	D(M) 70 x 95 x 13	OUTPUT SHAFT	PM5060	22214	WEIGHT 116 kg

		DWG NAME 외형도 OUTLINE DIMENSION			
		DWG No. <b>EK2DO07674H0001</b>		UNIT	mm
				SCALE	1:1
No.	DATE	DESIGNED	CHECKED	REVIEWED	APPROVED
DESCRIPTION of REVISION		하슬기	문병선	박희성	최성민
		DATE	2019-01-21		
		REVISION No.	01		
		THIRD ANGLE PROJECTION			
TYPE F1HM_23_1.5kW_100~120:1_프리미엄		REF. No.	-		
A4(210X297mm) FORM CE-14-0100-444 2013.11.20		HYOSUNG HEAVY INDUSTRIES		A	

The information written in this drawing is HYOSUNG HEAVY INDUSTRIES's property, and may not be disclosed and/or reproduced without the prior official permission of HYOSUNG HEAVY INDUSTRIES Corp.

이 도면상에 표시된 정보는 호성중공업(주)의 소유이며 당사의 사전 서면동의 없이 무단사용을 금합니다.