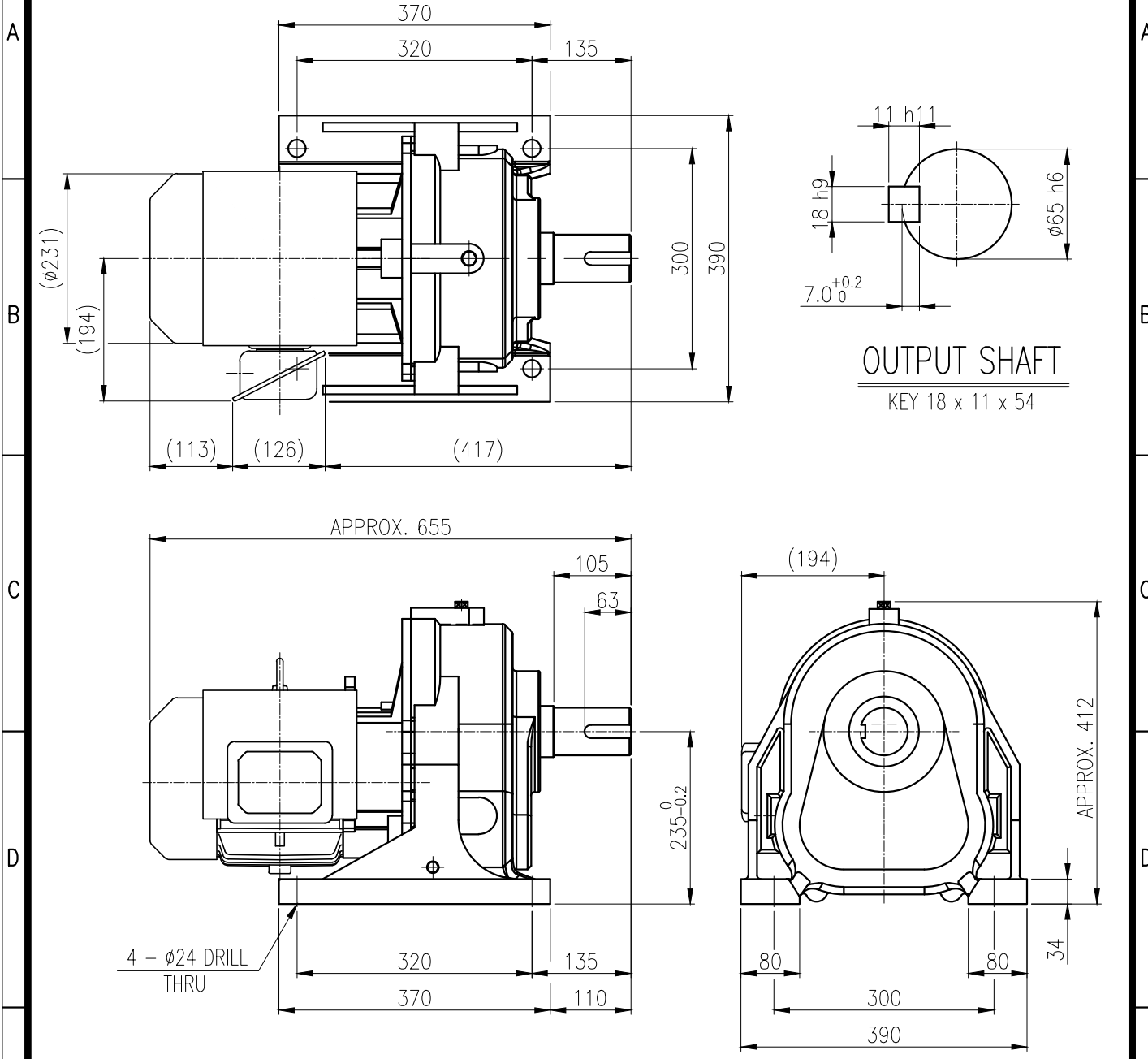


1	2	3	4	5				
No.	NAME	MATERIAL	DWG/MATL No.	CODE	Q'TY	SIZE	WEIGHT	REMARK
					0			



			BEARING		
			INPUT SHAFT	6206ZZ 6207ZZ	
	OIL SEAL		2ND PINION	6207ZZ 6205ZZ	GREASE : NLGI(EP)00
	MOTOR SHAFT	D(M) 35 x 47 x 7	3RD PINION	6207ZZ 6309ZZ	ABOUT 2.3 kg
	OUTPUT SHAFT	D(M) 70 x 95 x 13	OUTPUT SHAFT	PM5060 22214	WEIGHT 137 kg

		DWG NAME		외형도 OUTLINE DIMENSION			
		DWG No.		EK2DO07672W0001		UNIT	mm
						SCALE	1:1
No.	DATE	DESCRIPTION of REVISION		DESIGNED	CHECKED	REVIEWED	APPROVED
				2019.01.21	2019.01.21	2019.01.21	2019.01.21
				하슬기	문병선	박희성	최성민
A4(210X297mm)		FORM		THIRD ANGLE PROJECTION			
CE-14-0100-444		DATE		DATE			
2013.11.20		2019.01.21		2019-01-21			
		TYPE		REVISION No.		01	
		F1HM_23_3.7kW_60:1_프리미엄		REF. No.		-	
						A	

The information written in this drawing is HYOSUNG HEAVY INDUSTRIES's property, and may not be disclosed and/or reproduced without the prior official permission of HYOSUNG HEAVY INDUSTRIES Corp.

이 도면상에 표시된 정보는 호성중공업(주)의 소유이며 당사의 사전 서면동의 없이 무단사용을 금합니다.