

1	2	3	4	5				
No.	NAME	MATERIAL	DWG/MATL No.	CODE	Q'TY	SIZE	WEIGHT	REMARK
					0			

A

B

C

D

E

F

A

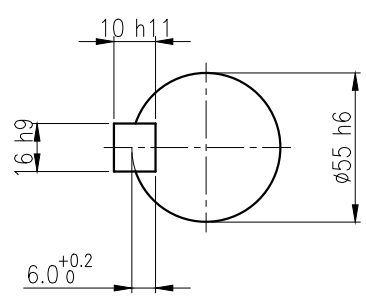
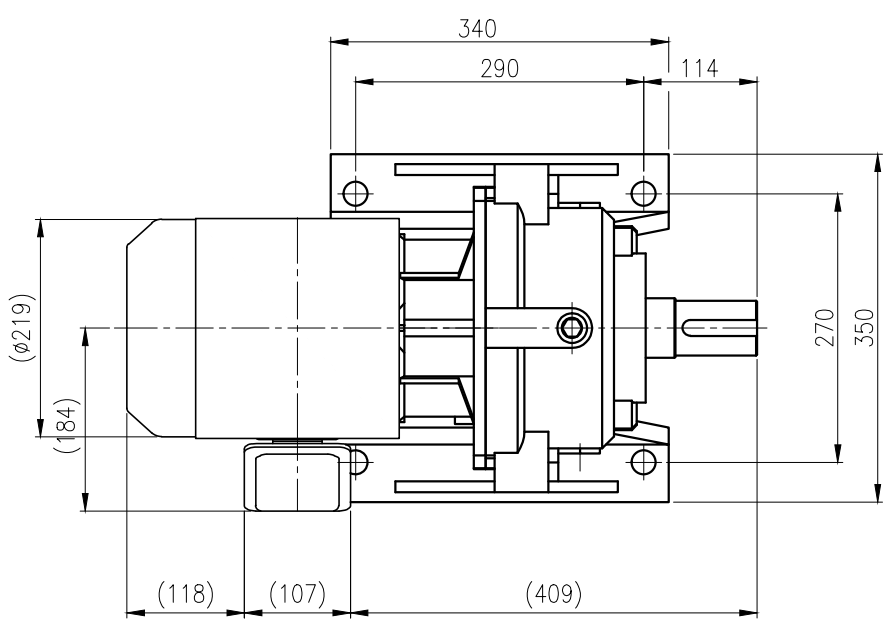
B

C

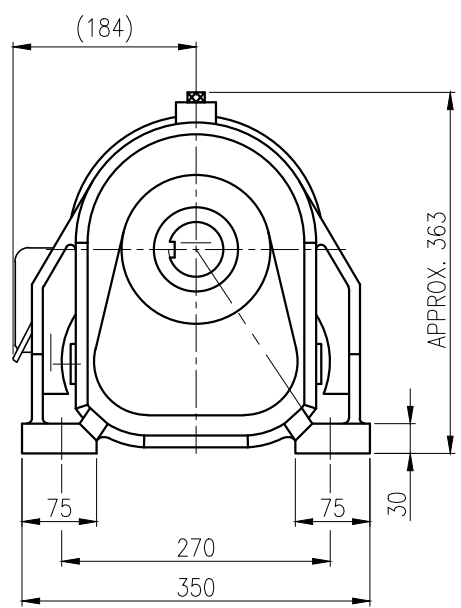
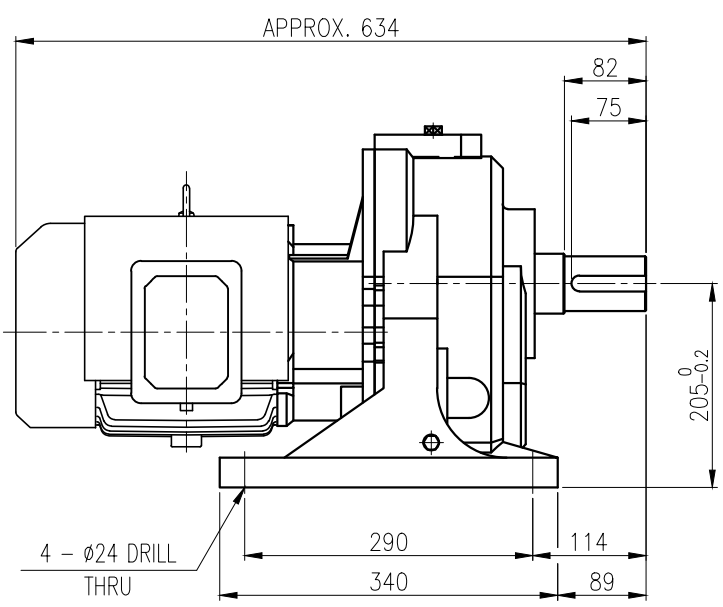
D

E

F



OUTPUT SHAFT
KEY 16 x 10 x 67



4 - Ø24 DRILL THRU

			BEARING		
			INPUT SHAFT	6205ZZ 6207ZZ	
OIL SEAL			2ND PINION	6205ZZ 6204ZZ	GREASE : NLGI(EP)00
MOTOR SHAFT	D(M) 35 x 47 x 7		3RD PINION	6208ZZ 6308ZZ	ABOUT 1.4 kg
OUTPUT SHAFT	D(M) 60 x 85 x 12	OUTPUT SHAFT	PM4530 22212	WEIGHT 108 kg	

		DWG NAME		외형도 OUTLINE DIMENSION			
		DWG No.		EK2DO07671W0001		UNIT	mm
						SCALE	1:1
No.	DATE	DESCRIPTION of REVISION		DESIGNED	CHECKED	REVIEWED	APPROVED
				2019.01.21	2019.01.21	2019.01.21	2019.01.21
				하슬기	문병선	박희성	홍원철
A4(210x297mm)		FORM		DATE		2019-01-21	
CE-14-0100-444		2013.11.20		REVISION No.		01	
		TYPE		REF. No.		THIRD ANGLE PROJECTION	
		F1HM_20_2.2W_60~120:1_프리미엄				A	

이 도면상에 표시된 정보는 호성중공업(주)의 소유이며 당사의 사전 서면동의 없이 무단사용을 금합니다.