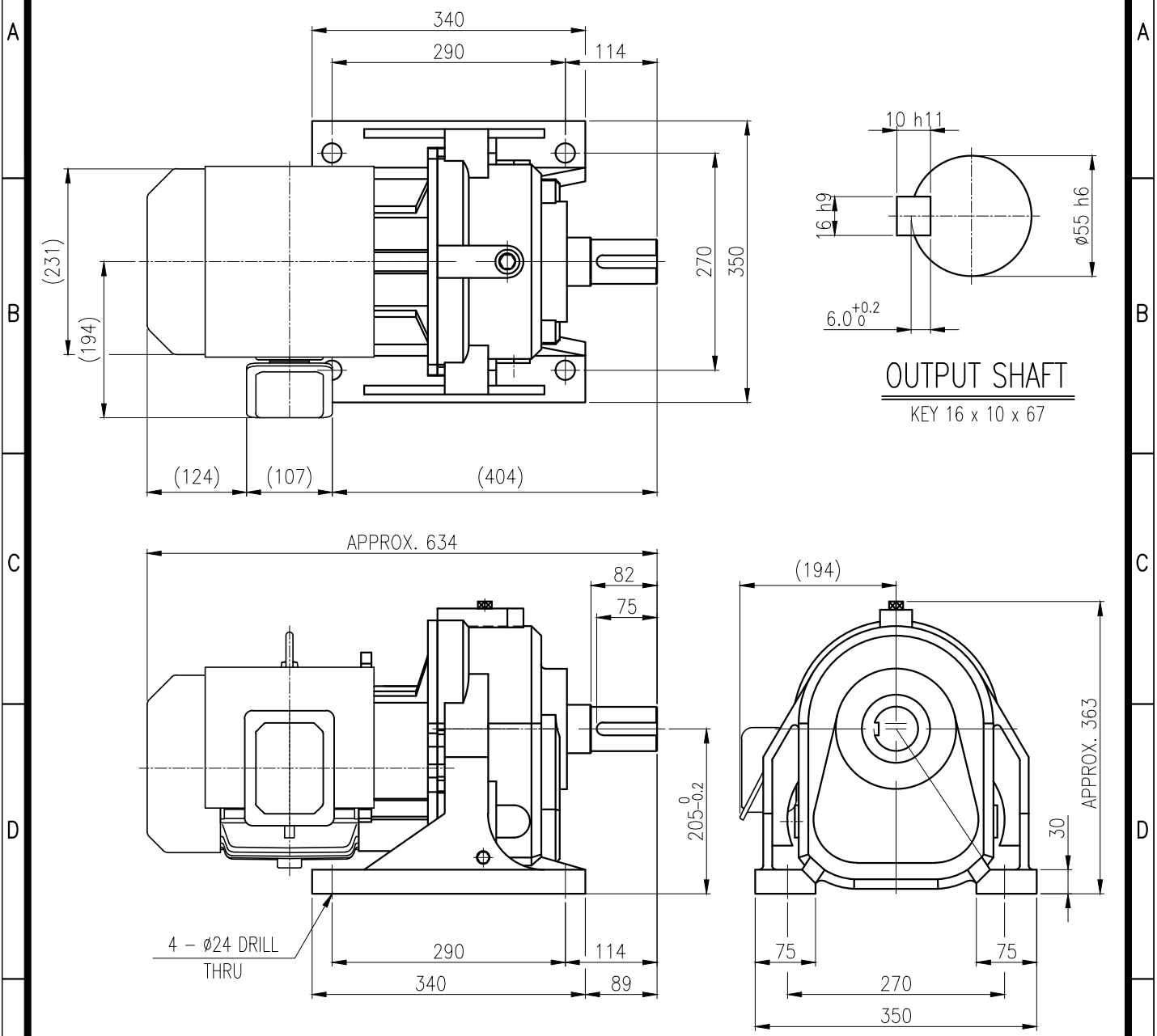


1	2	3	4	5				
No.	NAME	MATERIAL	DWG/MATL No.	CODE	Q'TY	SIZE	WEIGHT	REMARK
					0			



			BEARING		
			INPUT SHAFT	6206ZZ 6207ZZ	
OIL SEAL		2ND PINION	6205ZZ 6204ZZ	GREASE : NLGI(EP)00	
MOTOR SHAFT	D(M) 35 x 47 x 7	3RD PINION	6208ZZ 6308ZZ	ABOUT 1.5 kg	
OUTPUT SHAFT	D(M) 60 x 85 x 12	OUTPUT SHAFT	PM4530 22212	WEIGHT 113 kg	

		DWG NAME		외형도 OUTLINE DIMENSION			
		DWG No.		EK2DO07670W0001		UNIT	mm
						SCALE	1:1
No.	DATE	DESCRIPTION of REVISION		DESIGNED	CHECKED	REVIEWED	APPROVED
				2019.01.21	2019.01.21	2019.01.21	2019.01.21
A4(210X297mm)		FORM		하슬기		문병선	
CE-14-0100-444		2013.11.20		박희성		홍원철	
TYPE		F1HM_20_3.7kW_40~60:1_프리미엄		REF. No.		-	
						REVISION No. 01	
						THIRD ANGLE PROJECTION	
						A	

The information written in this drawing is HYOSUNG HEAVY INDUSTRIES's property, and may not be disclosed and/or reproduced without the prior official permission of HYOSUNG HEAVY INDUSTRIES Corp.

이 도면상에 표시된 정보는 호성중공업(주)의 소유이며 당사의 사전 서면동의 없이 무단사용을 금합니다.