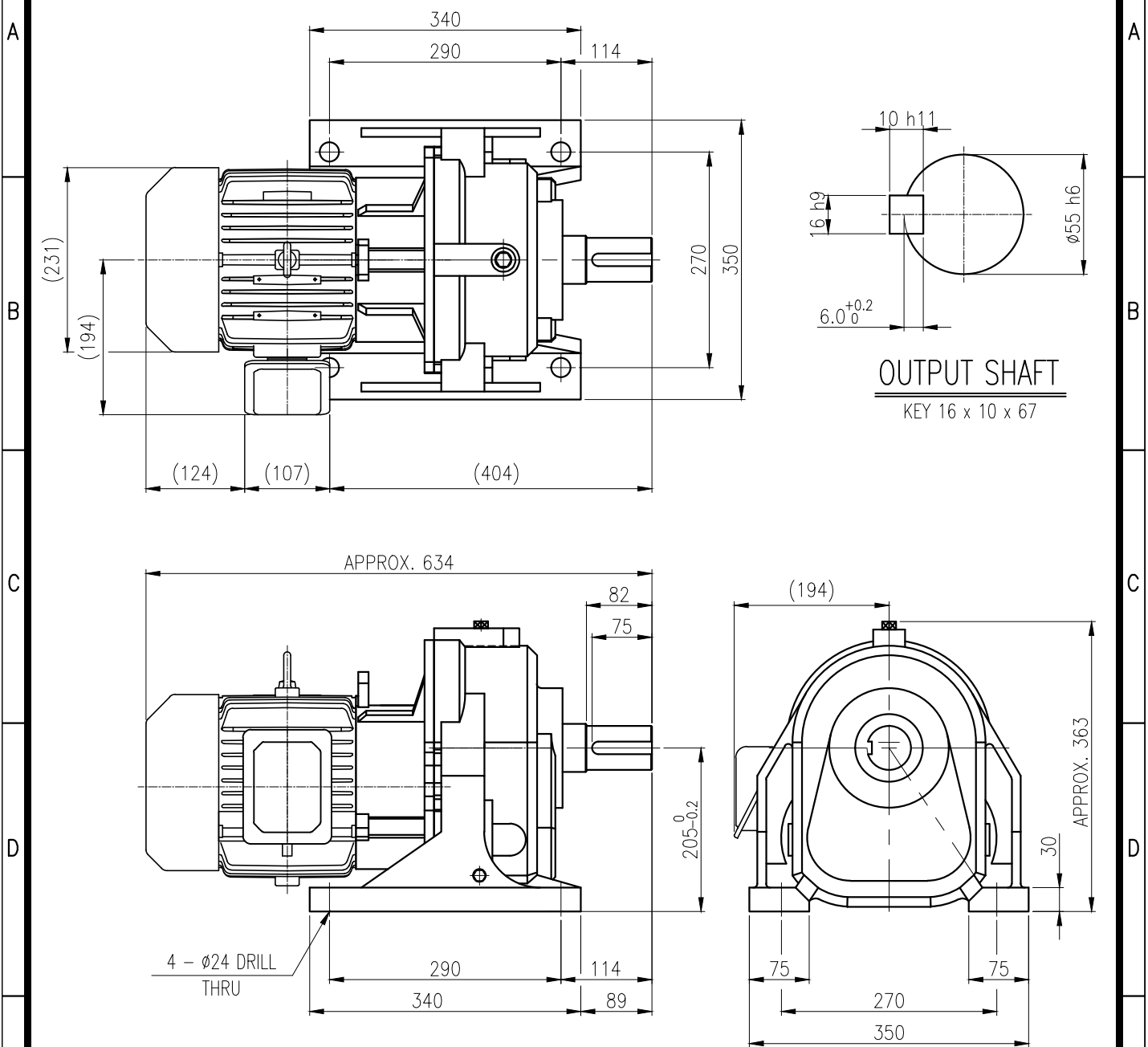


1	2	3	4	5				
No.	NAME	MATERIAL	DWG/MATL No.	CODE	Q'TY	SIZE	WEIGHT	REMARK
					0			



**OUTPUT SHAFT**  
KEY 16 x 10 x 67

		BEARING			
		INPUT SHAFT	6206ZZ	6207ZZ	
OIL SEAL		2ND PINION	6205ZZ	6204ZZ	GREASE : NLGI(EP)00
MOTOR SHAFT	D(M) 35 x 47 x 7	3RD PINION	6208ZZ	6308ZZ	ABOUT 1.5 kg
OUTPUT SHAFT	D(M) 60 x 85 x 12	OUTPUT SHAFT	PM4530	22212	WEIGHT 113 kg

		DWG NAME 외형도 OUTLINE DIMENSION							
		DWG No. <b>EK2DO07670H0001</b>		UNIT	mm				
				SCALE	1:1				
No.	DATE	DESCRIPTION of REVISION		DESIGNED	CHECKED	REVIEWED	APPROVED	DATE	2019-01-21
A4(210X297mm)	FORM CE-14-0100-444 2013.11.20			2019.01.21	2019.01.21	2019.01.21	2019.01.21	REVISION No.	01
				하슬기	문병선	박희성	홍원철	THIRD ANGLE PROJECTION	
TYPE		F1HM_20_3.7kW_40~60:1_프리미엄		REF. No.	-				
								(A)	

The information written in this drawing is HYOSUNG HEAVY INDUSTRIES's property, and may not be disclosed and/or reproduced without the prior official permission of HYOSUNG HEAVY INDUSTRIES Corp.

이 도면상에 표시된 정보는 호성중공업(주)의 소유이며 당사의 사전 서면동의 없이 무단사용을 금합니다.