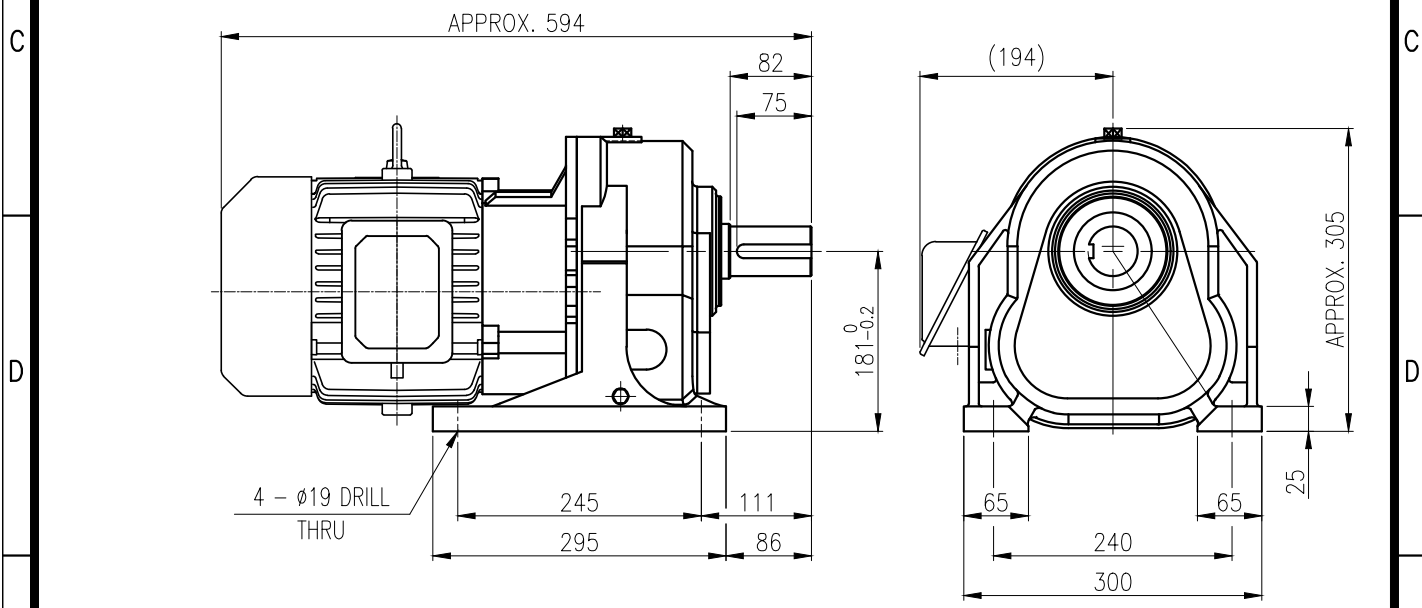
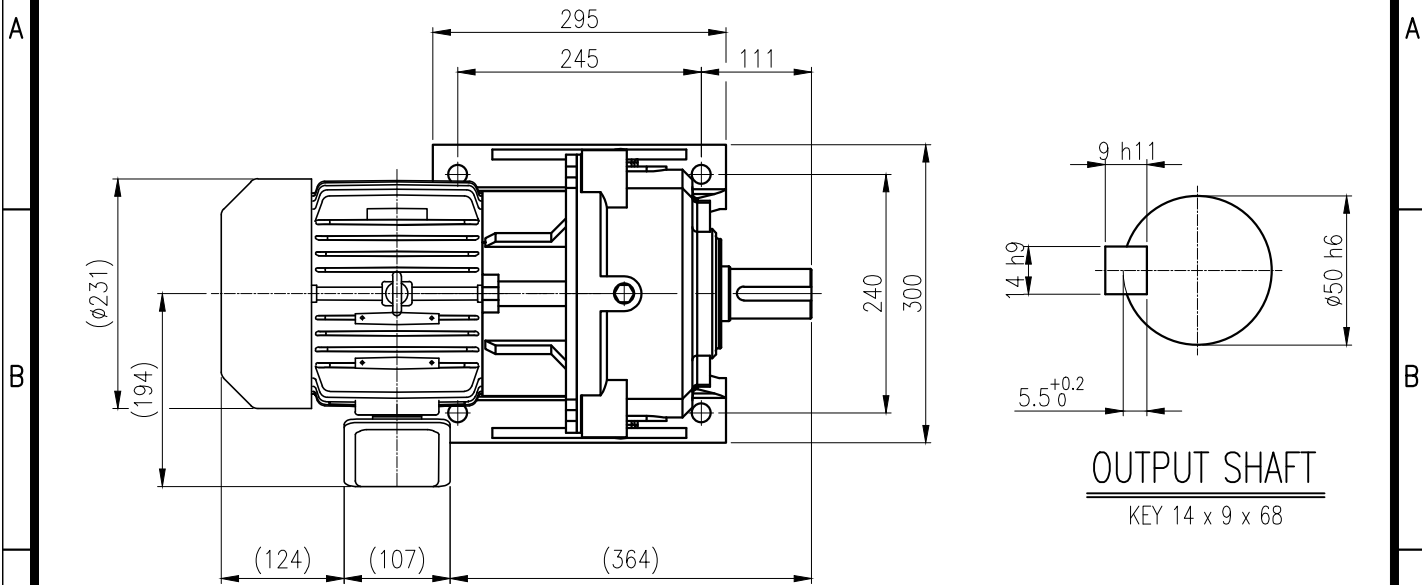


1	2	3	4	5				
No.	NAME	MATERIAL	DWG/MATL No.	CODE	Q'TY	SIZE	WEIGHT	REMARK
					0			



		BEARING			
		INPUT SHAFT	6206ZZ	6207ZZ	
OIL SEAL		2ND PINION	6206ZZ	6307ZZ	GREASE : NLGI(EP)00
MOTOR SHAFT	D(M) 35 x 47 x 7	3RD PINION	-	-	ABOUT 1.2 kg
OUTPUT SHAFT	D(M) 55 x 78 x 12	OUTPUT SHAFT	PM3530	22211	WEIGHT 92 kg

		외형도 OUTLINE DIMENSION							
		DWG No. EK2DO07668H0001		UNIT	mm				
				SCALE	1:1				
No.	DATE	DESCRIPTION of REVISION		DESIGNED	CHECKED	REVIEWED	APPROVED	DATE	2019-01-21
A4(210X297mm)	FORM CE-14-0100-444 2013.11.20	HYOSUNG HEAVY INDUSTRIES		2019.01.21 하슬기	2019.01.21 문병선	2019.01.21 박희성	2019.01.21 홍원철	REVISION No.	01
		TYPE F1HM_18_3.7kW_25~30:1_프리미엄		THIRD ANGLE PROJECTION					
		REF. No.		-				(A)	

The information written in this drawing is HYOSUNG HEAVY INDUSTRIES's property, and may not be disclosed and/or reproduced without the prior official permission of HYOSUNG HEAVY INDUSTRIES Corp.

이 도면상에 표시된 정보는 호성중공업(주)의 소유이며 당사의 사전 서면동의 없이 무단사용을 금합니다.