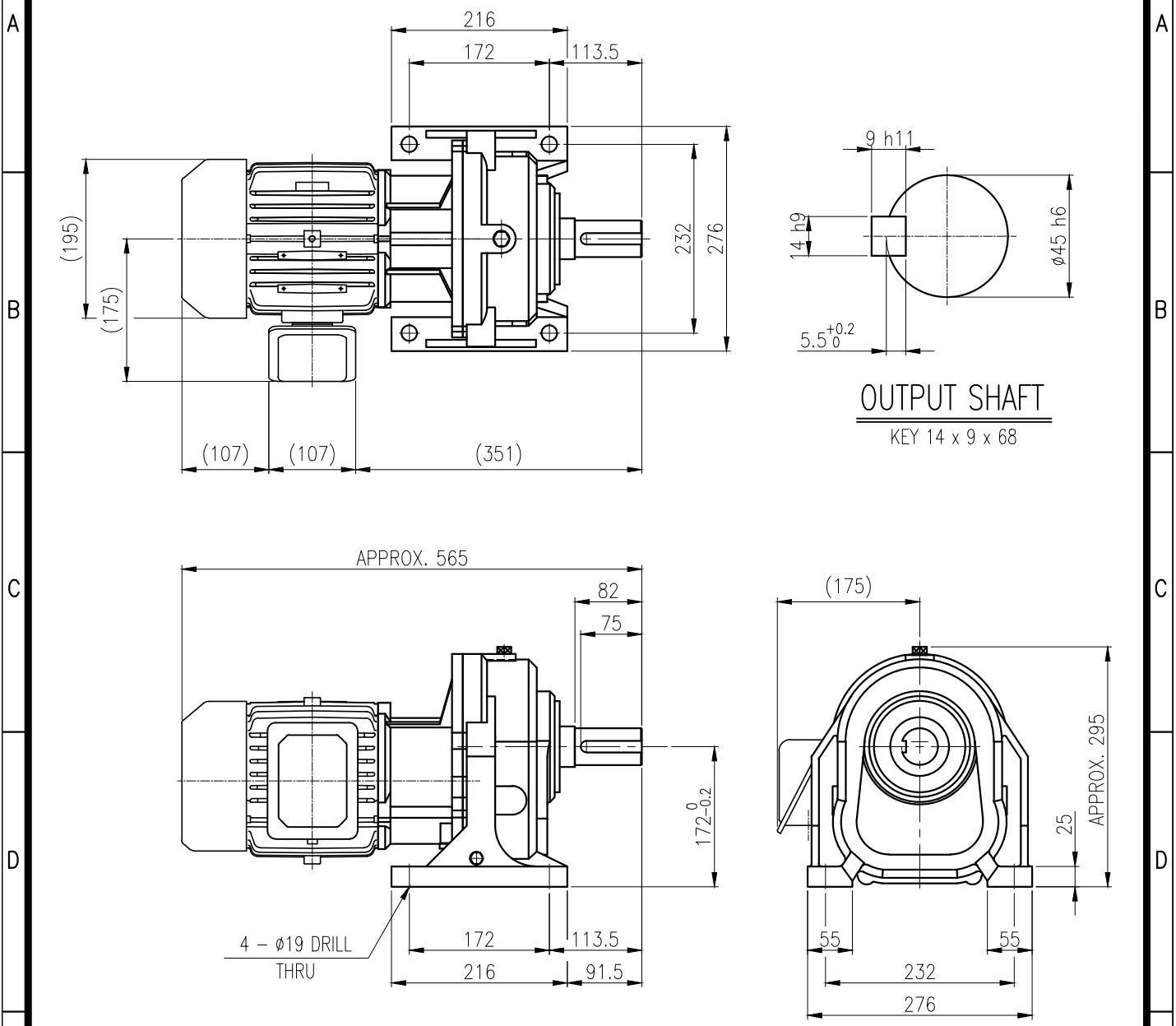


1	2	3	4	5				
No.	NAME	MATERIAL	DWG/MATL No.	CODE	Q'TY	SIZE	WEIGHT	REMARK
					0			



			BEARING		
			INPUT SHAFT	6204ZZ 6205ZZ	
			2ND PINION	6204ZZ 6203ZZ	GREASE : NLGI(EP)00
			3RD PINION	6205ZZ 6305ZZ	ABOUT 0.9 kg
			OUTPUT SHAFT	PM3530 6310ZZ	WEIGHT 62 Kg
			OIL SEAL		
			MOTOR SHAFT	D(M) 25 x 38 x 8	
			OUTPUT SHAFT	D(M) 50 x 72 x 12	

		DWG NAME		외형도 OUTLINE DIMENSION	
		DWG No.		E K 2 D 0 0 7 6 6 7 H 0 0 0 1	
		UNIT		mm	
		SCALE		1:1	
No.	DATE	DESIGNER		DESIGNED	CHECKED
		DESCRIPTION of REVISION		REVIEWED	APPROVED
				DATE	2019-01-21
				REVISION No.	01
				THIRD ANGLE PROJECTION	
				REF. No.	-
				A	

이 도면상에 표시된 정보는 호성중공업(주)의 소유이며 당사의 사전 서면동의 없이 무단사용을 금합니다.