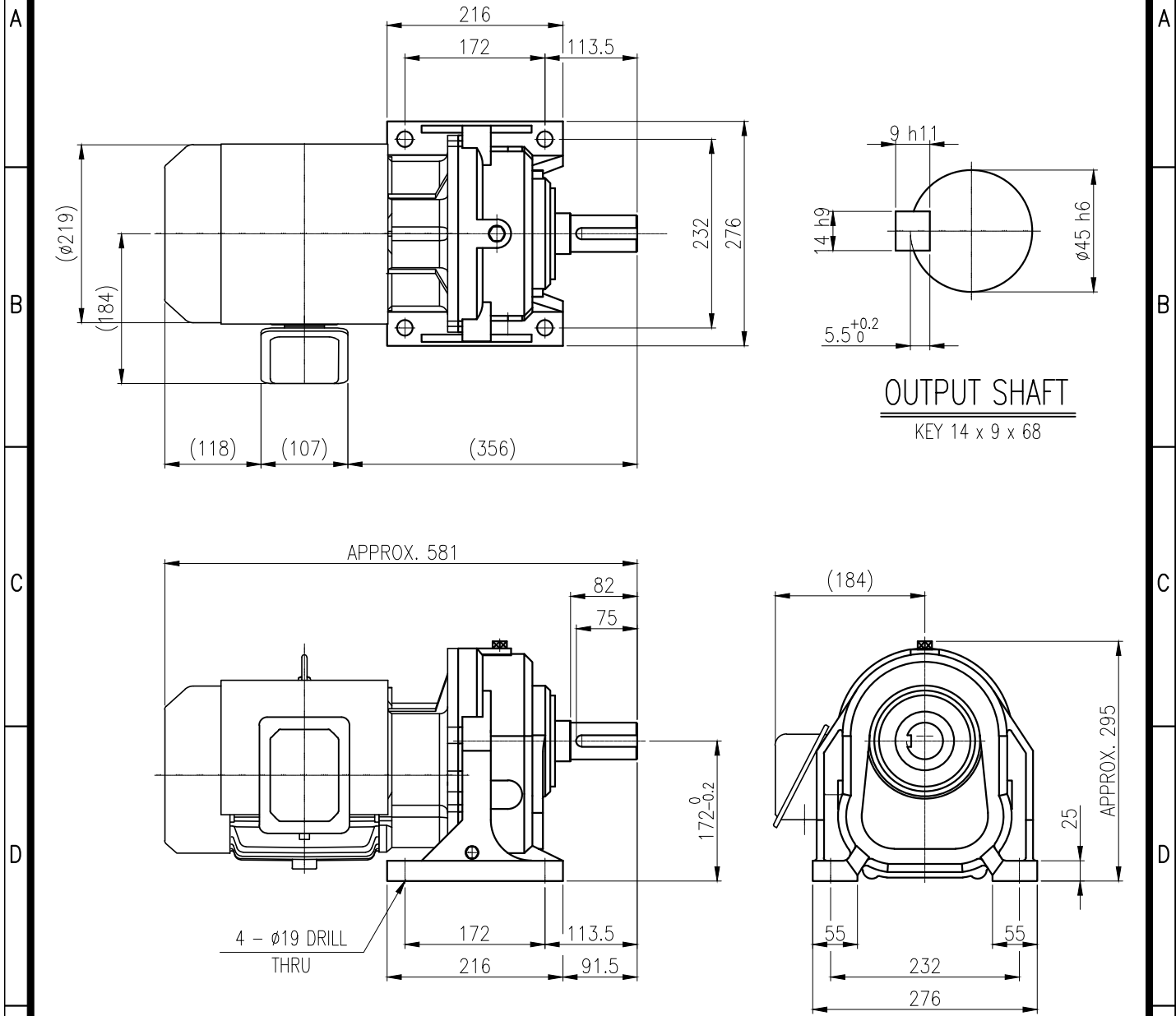


1	2	3	4	5
No.	NAME	MATERIAL	DWG/MATL No.	CODE Q'TY
				0
				SIZE
				WEIGHT
				REMARK



			BEARING		
			INPUT SHAFT	6205ZZ 6207ZZ	
	OIL SEAL		2ND PINION	6205ZZ 6305ZZ	GREASE : NLGI(EP)00
MOTOR SHAFT	D(M) 35 x 47 x 7		3RD PINION	-	ABOUT 1.0 kg
OUTPUT SHAFT	D(M) 50 x 72 x 12	OUTPUT SHAFT	PM3530 6310ZZ		WEIGHT 76 kg

		DWG NAME		외형도 OUTLINE DIMAENSON			
		DWG No.		E K 2 D O 0 7 6 6 6 W 0 0 0 1		UNIT	mm
						SCALE	1:1
No.	DATE	DESCRIPTION of REVISION		DESIGNED	CHECKED	REVIEWED	APPROVED
				2019.01.21	2019.01.21	2019.01.21	2019.01.21
				하슬기	문병선	박희성	홍원철
						DATE	2019-01-21
						REVISION No.	01
						THIRD ANGLE PROJECTION	
						REF. No.	-
						A	

The information written in this drawing is HYOSUNG HEAVY INDUSTRIES's property, and may not be disclosed and/or reproduced without the prior official permission of HYOSUNG HEAVY INDUSTRIES Corp.

이 도면상에 표시된 정보는 호성중공업(주)의 소유이며 당사의 사전 서면동의 없이 무단사용을 금합니다.