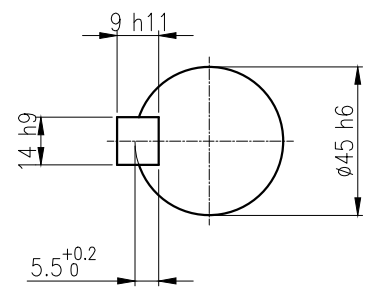
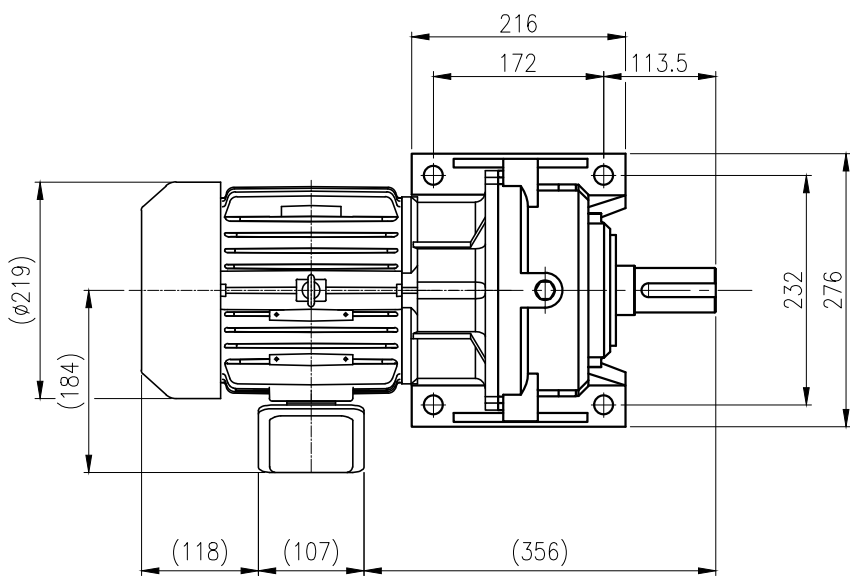
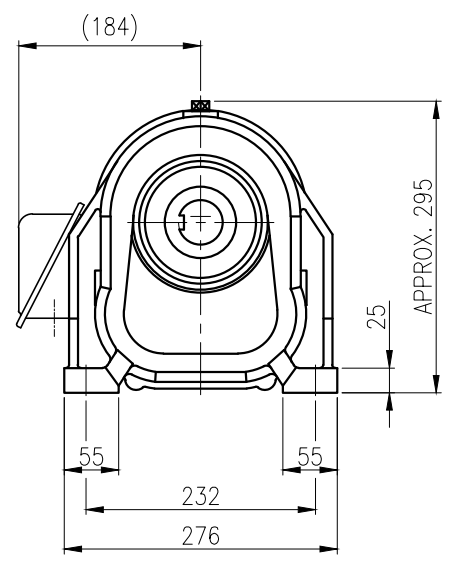
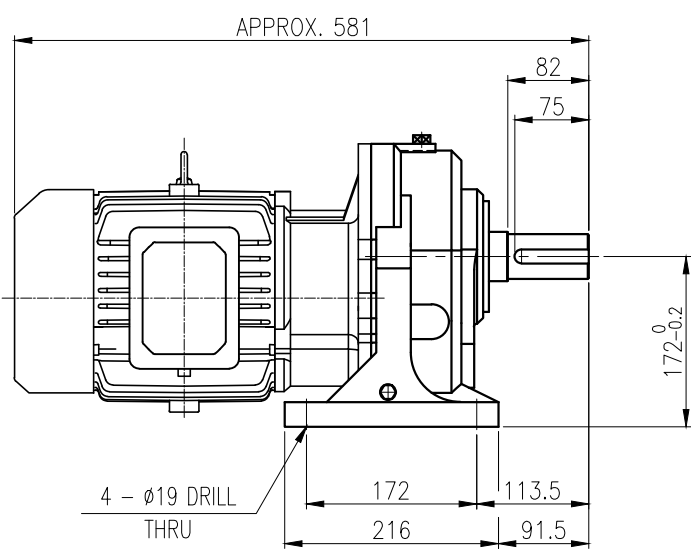


1	2	3	4	5				
No.	NAME	MATERIAL	DWG/MATL No.	CODE	Q'TY	SIZE	WEIGHT	REMARK
					0			



**OUTPUT SHAFT**  
KEY 14 x 9 x 68



		BEARING		
		INPUT SHAFT	6205ZZ 6207ZZ	
	OIL SEAL	2ND PINION	6205ZZ 6305ZZ	GREASE : NLGI(EP)00
MOTOR SHAFT	D(M) 35 x 47 x 7	3RD PINION	-	ABOUT 1.0 kg
OUTPUT SHAFT	D(M) 50 x 72 x 12	OUTPUT SHAFT	PM3530 6310ZZ	WEIGHT 76 kg

DWG NAME		외형도 OUTLINE DIMAENSON			
DWG No.		EK2DO07666H0001		UNIT	mm
				SCALE	1:1
No.	DATE	DESIGNED	CHECKED	REVIEWED	APPROVED
		2019.01.21	2019.01.21	2019.01.21	2019.01.21
		하슬기	문병선	박희성	홍원철
DESCRIPTION of REVISION		DATE	2019-01-21		
		REVISION No.	01		
		THIRD ANGLE PROJECTION			
TYPE		F1HM_17_2.2kW_5~30:1_프리미엄		REF. No.	-

A4(210X297mm)  
FORM  
CE-14-0100-444  
2013.11.20



(A)

이 도면상에 표시된 정보는 호성중공업(주)의 소유이며 당사의 사전 서면동의 없이 무단사용을 금합니다.