

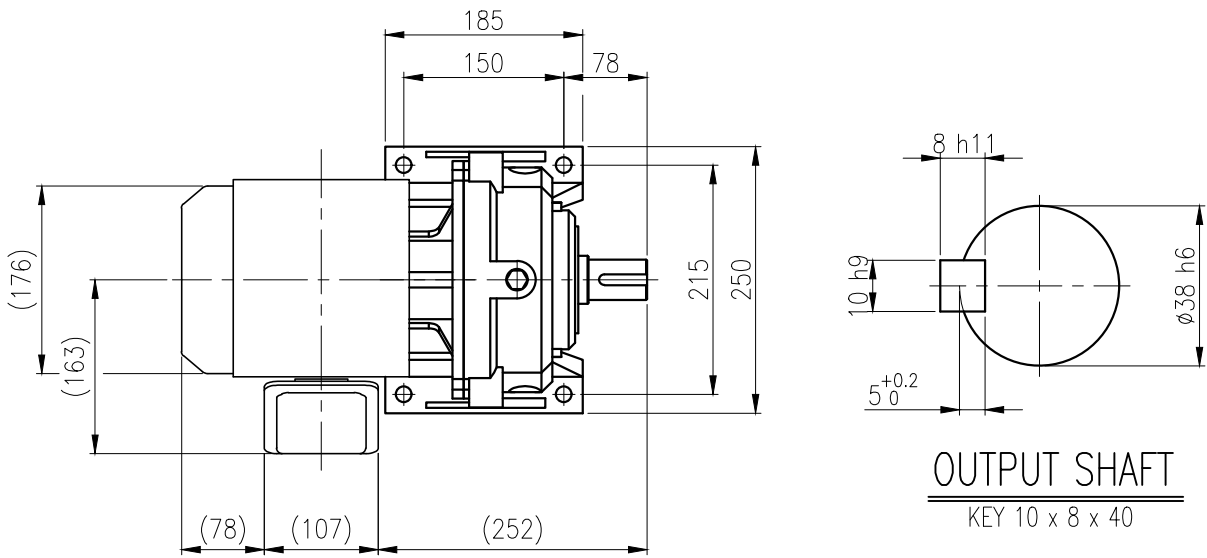
1	2		3		4		5	
No.	NAME	MATERIAL	DWG/MATL No.	CODE	Q'TY	SIZE	WEIGHT	REMARK
					0			

A

A

B

B

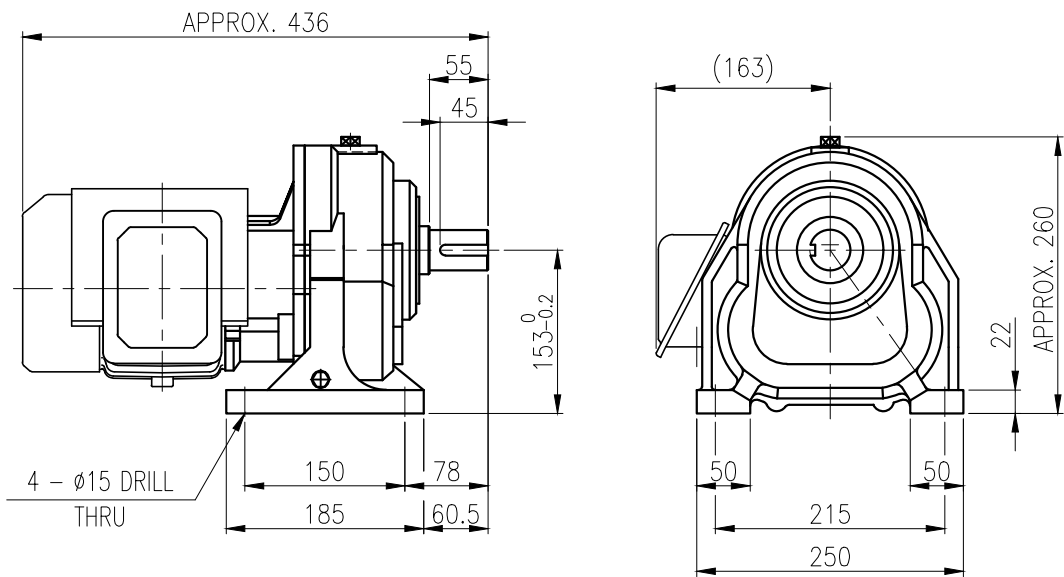


C

C

D

D



E

		BEARING			
		INPUT SHAFT	6203ZZ	6204ZZ	
OIL SEAL		2ND PINION	6203ZZ	6202ZZ	GREASE : NLGI(EP)00
MOTOR SHAFT	D(M) 20 x 32 x 8	3RD PINION	6204ZZ	6304ZZ	ABOUT 0.6 kg
OUTPUT SHAFT	D(M) 45 x 62 x 12	OUTPUT SHAFT	PM3030	6309ZZ	WEIGHT 52 Kg

F

		DWG NAME		외형도 OUTKUNE DIMENSION			
		DWG No.		EK2DO07664W0001		UNIT	mm
						SCALE	1:1
No.	DATE	DESCRIPTION of REVISION		DESIGNED	CHECKED	REVIEWED	APPROVED
				2019.01.21	2019.01.21	2019.01.21	2019.01.21
FORM		HYOSUNG HEAVY INDUSTRIES		하슬기	문병선	박희성	홍원철
CE-14-0100-444		TYPE		F1HM_15_0.75kW_40~120:1_프리미엄		REVISION No.	01
2013.11.20				REF. No.		THIRD ANGLE PROJECTION	
						A	

이 도면상에 표시된 정보는 호성중공업(주)의 소유이며 당사의 사전 서면동의 없이 무단사용을 금합니다.