

1	2	3	4	5				
No.	NAME	MATERIAL	DWG/MATL No.	CODE	Q'TY	SIZE	WEIGHT	REMARK
					0			

A

B

C

D

E

F

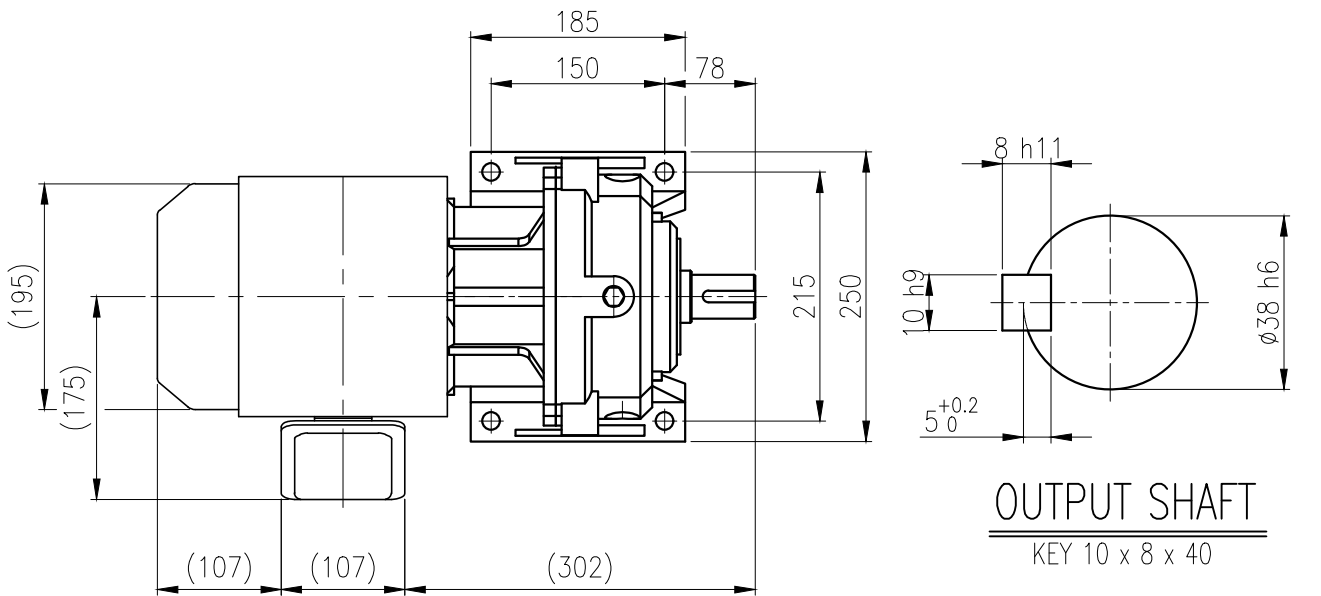
A

B

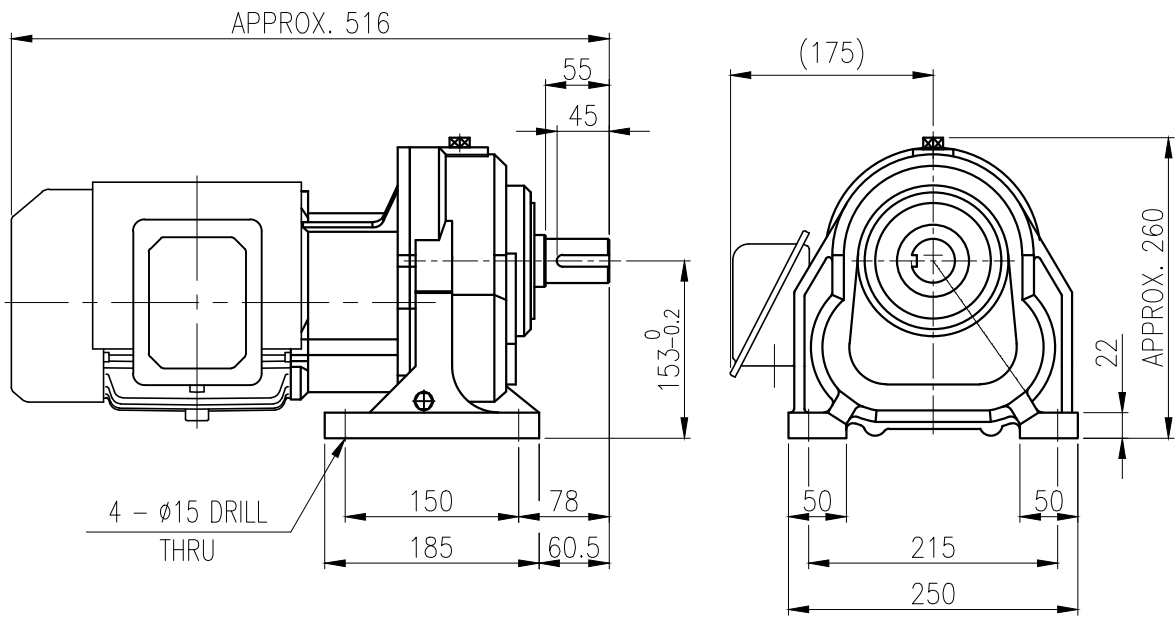
C

D

이 도면상에 표시된 정보는 호성중공업(주)의 소유이며 당사의 사전 서면동의 없이 무단사용을 금합니다.



OUTPUT SHAFT
KEY 10 x 8 x 40



		BEARING			
		INPUT SHAFT	6204ZZ	6205ZZ	
OIL SEAL		2ND PINION	6204ZZ	6304ZZ	GREASE : NLGI(EP)00
MOTOR SHAFT	D(M) 25 x 38 x 8	3RD PINION	-	-	ABOUT 0.6 kg
OUTPUT SHAFT	D(M) 45 x 62 x 12	OUTPUT SHAFT	PM3030	6309ZZ	WEIGHT 53 kg

		DWG NAME		외형도 OUTLINE DIMENSION			
		DWG No.		E K 2 D O 0 7 6 6 3 W 0 0 0 1		UNIT	mm
						SCALE	1:1
No.	DATE	DESCRIPTION of REVISION		DESIGNED	CHECKED	REVIEWED	APPROVED
A4(210x297mm)	FORM CE-14-0100-444 2013.11.20	HYOSUNG HEAVY INDUSTRIES		2019.01.21 하슬기	2019.01.21 문병선	2019.01.21 박희성	2019.01.21 홍원철
TYPE		F1HM_15_1.5kW_5~30:1_프리미엄		DATE	2019-01-21		REVISION No.
						01	
						THIRD ANGLE PROJECTION	
		REF. No.				A	