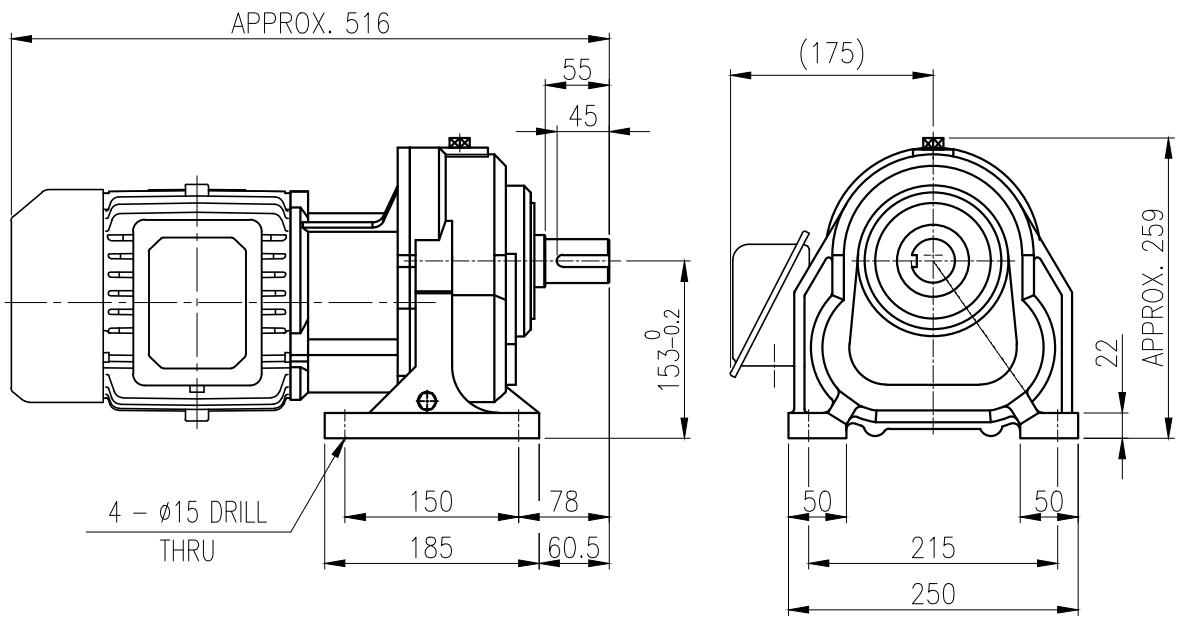
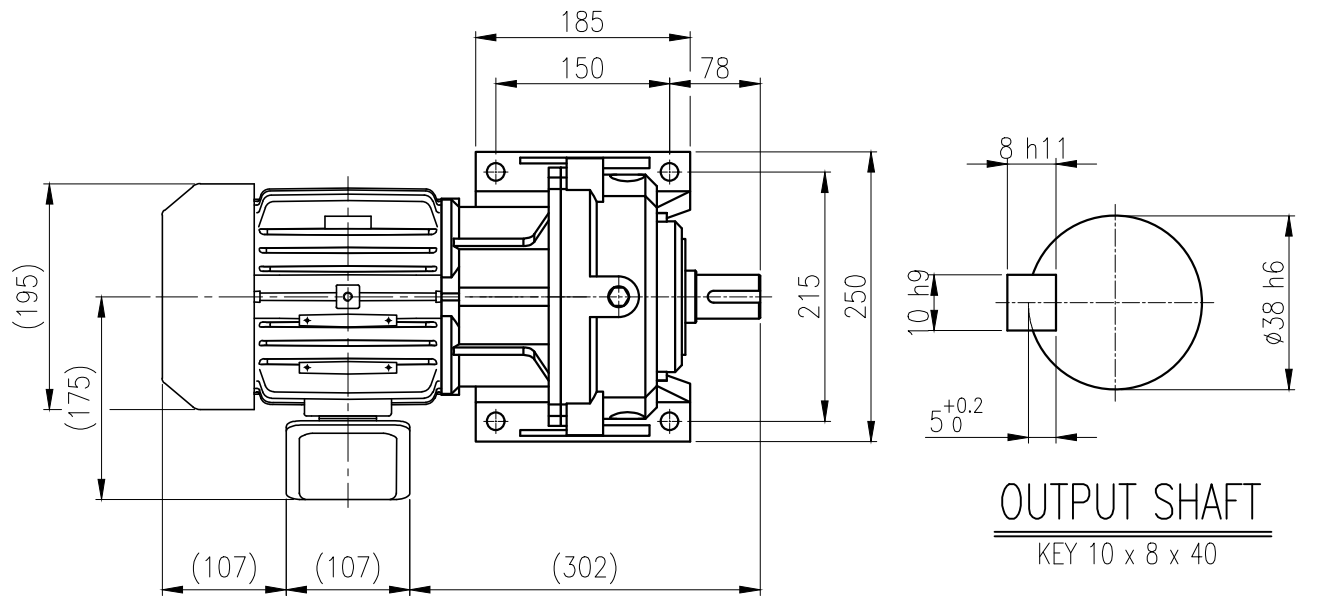


1	2	3	4	5				
No.	NAME	MATERIAL	DWG/MATL No.	CODE	Q'TY	SIZE	WEIGHT	REMARK
					0			

A
B
C
D
E
F

A
B
C
D
E
F



		BEARING			
		INPUT SHAFT	6204ZZ	6205ZZ	
OIL SEAL		2ND PINION	6204ZZ	6304ZZ	GREASE : NLGI(EP)00
MOTOR SHAFT	D(M) 25 x 38 x 8	3RD PINION	-	-	ABOUT 0.6 kg
OUTPUT SHAFT	D(M) 45 x 62 x 12	OUTPUT SHAFT	PM3030	6309ZZ	WEIGHT 53 kg

		DWG NAME 외형도 OUTLINE DIMENSION			
		DWG No. EK2DO07663H0001		UNIT mm	
				SCALE 1:1	
No.	DATE	DESCRIPTION of REVISION			
1	2019.01.21	DESIGNED	CHECKED	REVIEWED	APPROVED
2	2019.01.21	2019.01.21	2019.01.21	2019.01.21	2019.01.21
3	2019.01.21	하슬기	문병선	박희성	홍원철
DATE		2019-01-21			
REVISION No.		01			
TYPE		F1HM_15_1.5kW_5~30:1_프리미엄			
REF. No.		-			
FORM		THIRD ANGLE PROJECTION			
A4(210x297mm)		A			

이 도면상에 표시된 정보는 호성중공업(주)의 소유이며 당사의 사전 서면동의 없이 무단사용을 금합니다.