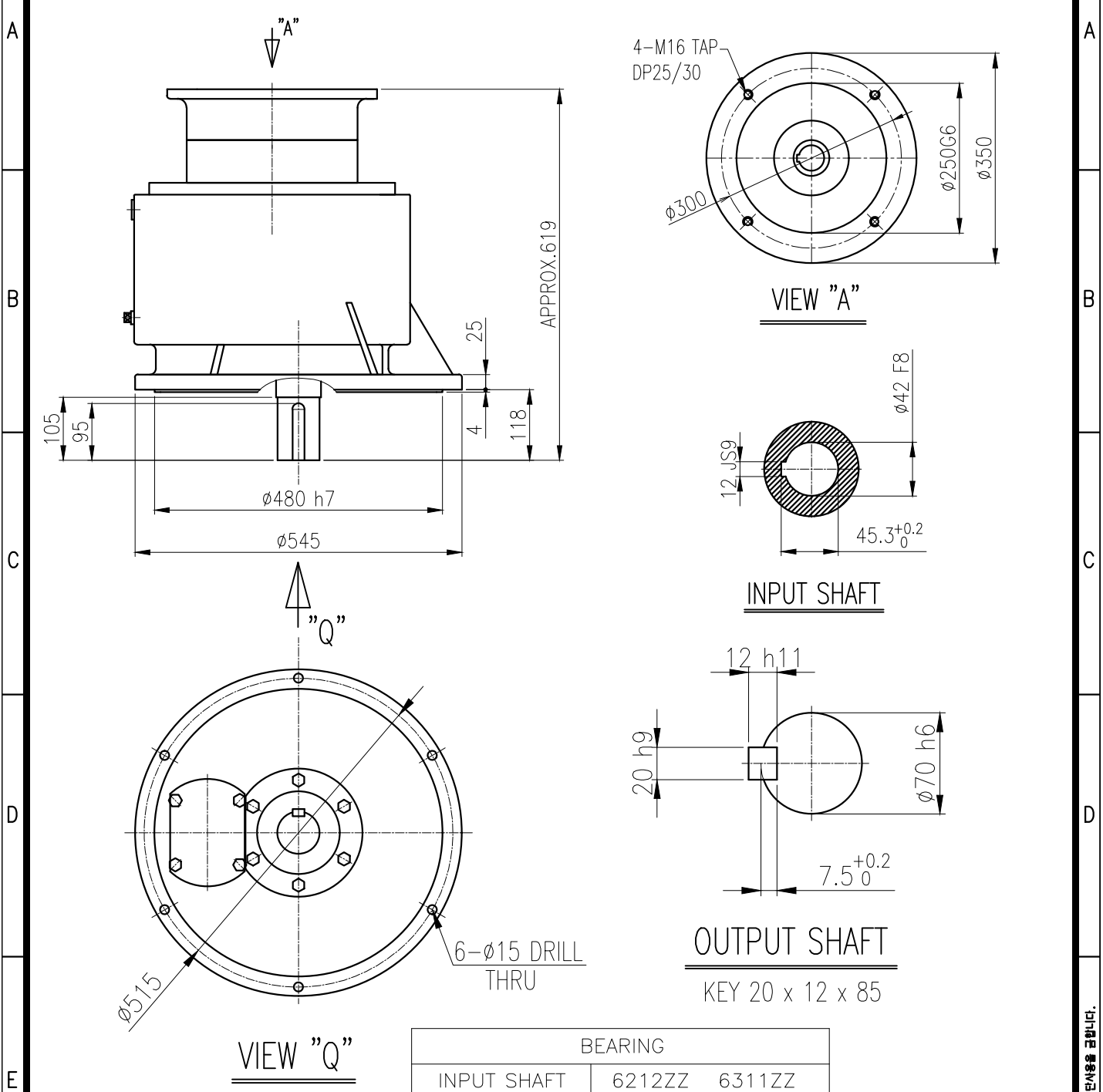


1	2	3	4	5				
No.	NAME	MATERIAL	DWG/MATL No.	CODE	Q'TY	SIZE	WEIGHT	REMARK
					0			



OIL SEAL		2ND PINION	30209ZZ	30309ZZ	OIL : ISO VG 220
MOTOR SHAFT	D(M) 55 x 78 x 12	3RD PINION	-	-	ABOUT 1.5 l
OUTPUT SHAFT	D(M) 75 x 100 x 13	OUTPUT SHAFT	30213ZZ	32215ZZ	WEIGHT 226 kg

		DWG NAME 외형도 OUTLINE DIMENSION							
		DWG No. EK2D007349		UNIT mm					
				SCALE 1:1					
No.	DATE	DESCRIPTION of REVISION		DESIGNED	CHECKED	REVIEWED	APPROVED	DATE	2019-01-14
A4(210X297mm)	FORM CE-14-0100-444 2013.11.20			2019.01.14	2019.01.14	2019.01.14	2019.01.14	REVISION No.	01
TYPE FVI_160Fr(11&15kW)_30:1N Type				최성민	문병선	박희성	홍원철	THIRD ANGLE PROJECTION	
		REF. No.	(EK2D006078)					A	

The information written in this drawing is HYOSUNG HEAVY INDUSTRIES's property, and may not be disclosed and/or reproduced without the prior official permission of HYOSUNG HEAVY INDUSTRIES Corp.

이 도면상에 표시된 정보는 호성중공업(주)의 소유이며 당사의 사전 서면동의 없이 무단사용을 금합니다.