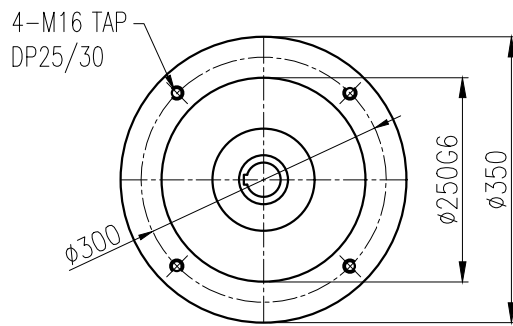
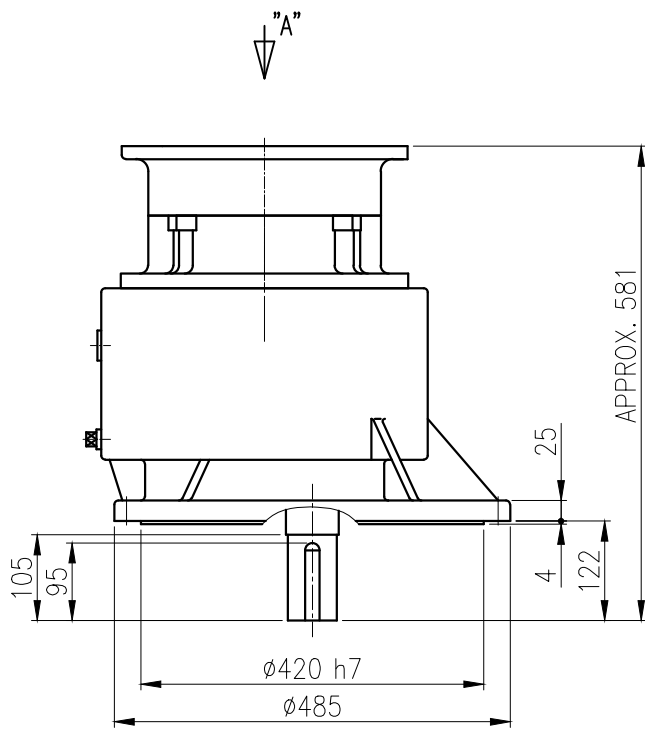
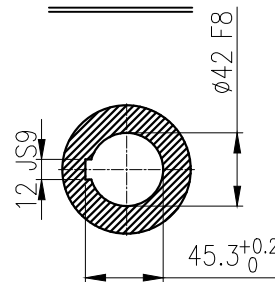


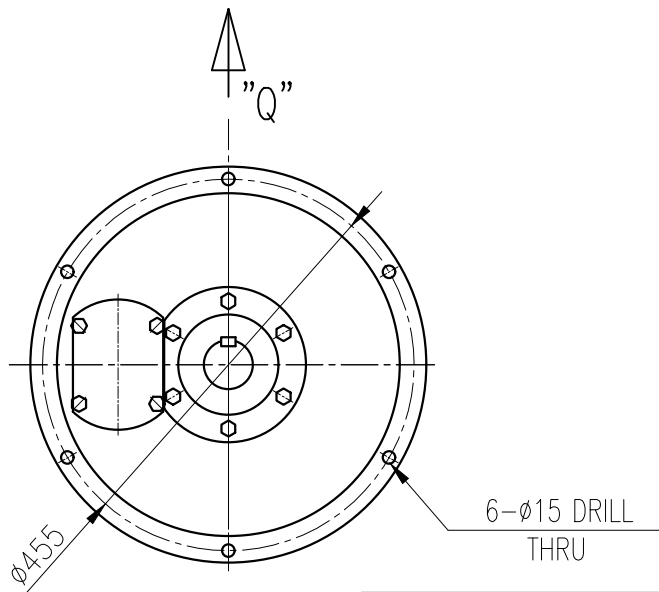
1	2	3	4	5				
No.	NAME	MATERIAL	DWG/MATL No.	CODE	Q'TY	SIZE	WEIGHT	REMARK
					0			



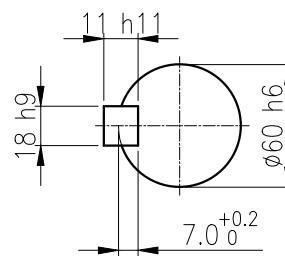
VIEW "A"



INPUT SHAFT



VIEW "Q"



OUTPUT SHAFT

KEY 18 x 11 x 85

		BEARING			
		INPUT SHAFT	6212ZZ	6310ZZ	
OIL SEAL		2ND PINION	30208ZZ	30308ZZ	OIL : ISO VG 220
MOTOR SHAFT	D(M) 50 x 72 x 12	3RD PINION	-	-	ABOUT 14 l
OUTPUT SHAFT	D(M) 65 x 95 x 13	OUTPUT SHAFT	30212ZZ	32213ZZ	WEIGHT 151 kg

		DWG NAME				외형도 OUTLINE DIMENSION	
		DWG No.		EK2D007348		UNIT	mm
						SCALE	1:1
No.	DATE	DESCRIPTION of REVISION		DESIGNED	CHECKED	REVIEWED	APPROVED
A4(210x297mm)	FORM CE-14-0100-444 2013.11.20	HYOSUNG HEAVY INDUSTRIES		2019.01.14 최성민	2019.01.14 문병선	2019.01.14 박희성	2019.01.14 홍원철
TYPE		FVI_160Fr(11&15kW)_5~20:1N Type		REF. No.		(EK2D006077)	
						DATE	2019-01-14
						REVISION No.	01
						THIRD ANGLE PROJECTION	
						(A)	