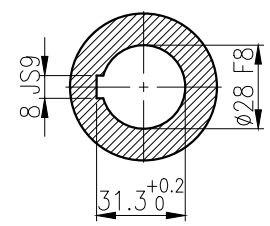
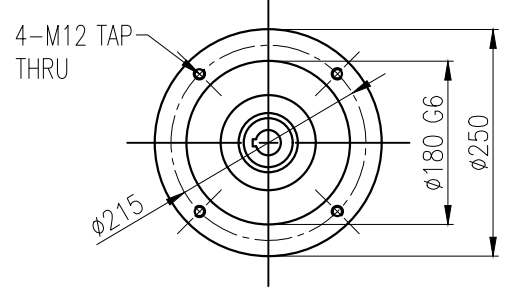


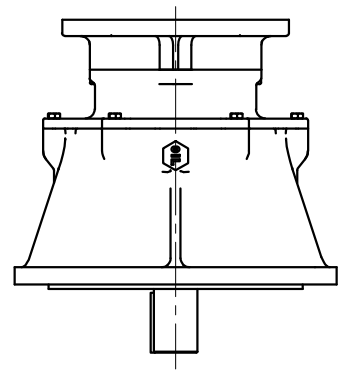
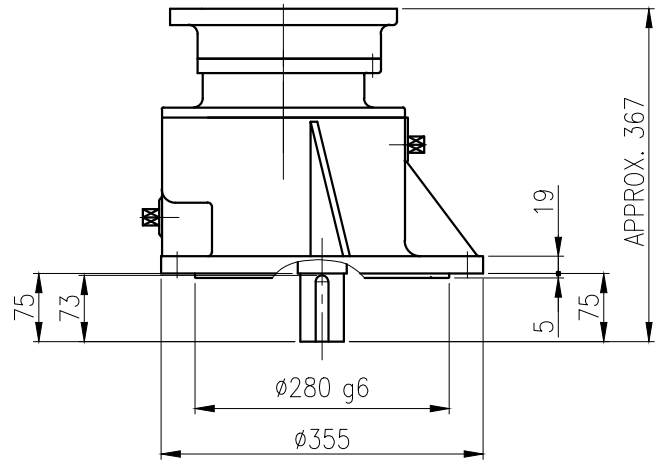
1	2	3	4	5				
No.	NAME	MATERIAL	DWG/MATL No.	CODE	Q'TY	SIZE	WEIGHT	REMARK
					0			

A



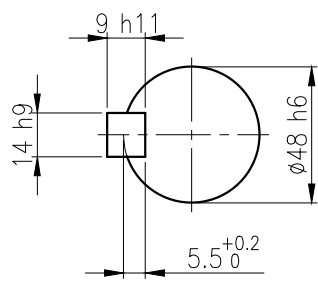
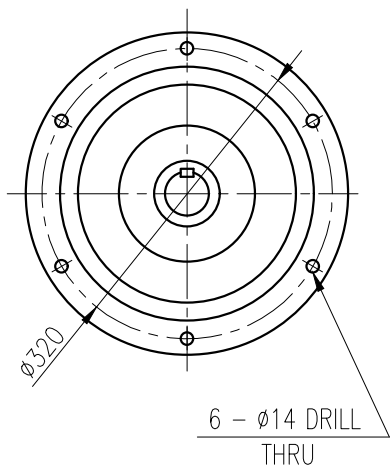
INPUT SHAFT

B



C

D



OUTPUT SHAFT

KEY 14 x 9 x 40

E

		BEARING			
OIL SEAL		INPUT SHAFT	#6009ZZ	#6306ZZ	
MOTOR SHAFT	D(M) 22x35x8	2ND PINION	#6304ZZ	#6304ZZ	GREASE : NLGI(EP)00
OUTPUT SHAFT	D(M) 50x72x12	3RD PINION	#6305ZZ	#6305ZZ	ABOUT 1.2 kg
		OUTPUT SHAFT	#6310ZZ	#PM4020	WEIGHT 61 kg

F

		외형도 OUTLINE DIMENSION				DWG NAME	
		EK2D007339				UNIT	mm
						SCALE	1:1
No.	DATE	DESCRIPTION of REVISION		DESIGNED	CHECKED	REVIEWED	APPROVED
A4(210x297mm)	FORM CE-14-0100-444 2013.11.20	HYOSUNG HEAVY INDUSTRIES		2019.01.14 최성민	2019.01.14 문병선	2019.01.14 박희성	2019.01.14 홍원철
TYPE		FVI_100Fr(2.2kW)_40~60:1N Type		REF. No.		(EK2D006070)	
						REVISION No. 01	
						THIRD ANGLE PROJECTION	
						A	

The information written in this drawing is HYOSUNG HEAVY INDUSTRIES's property, and may not be disclosed and/or reproduced without the prior official permission of HYOSUNG HEAVY INDUSTRIES Corp.

이 도면상에 표시된 정보는 호성중공업(주)의 소유이며 당사의 사전 서면동의 없이 무단사용을 금합니다.