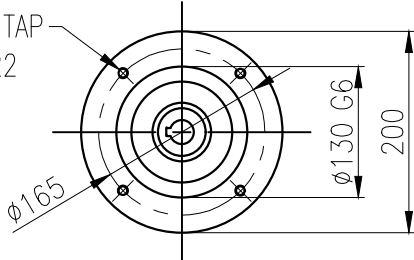
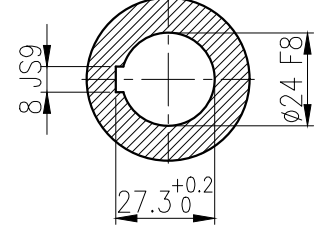
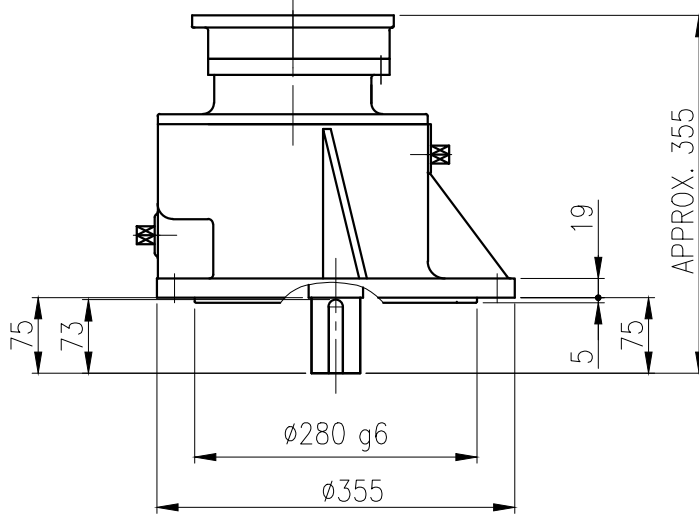
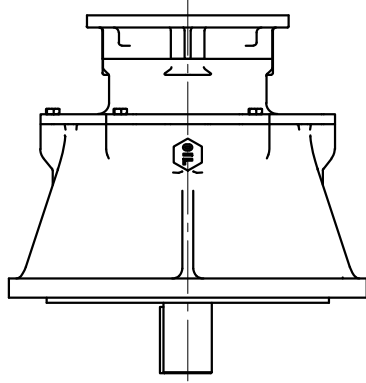
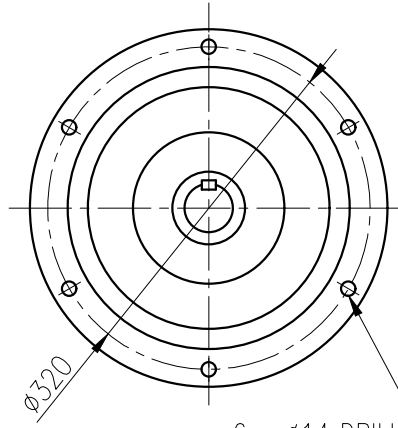
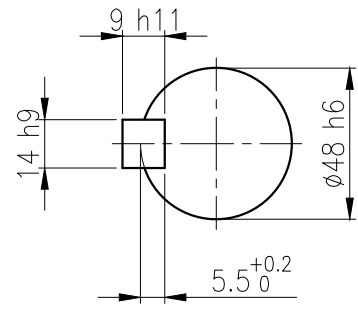
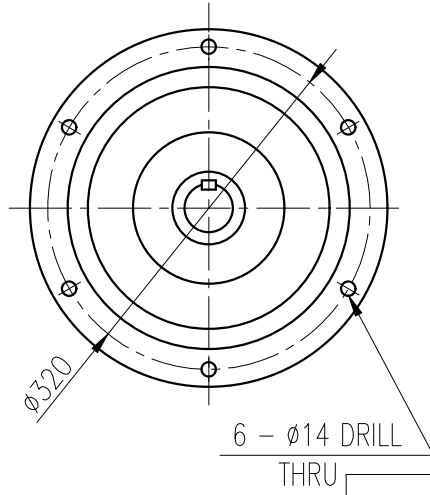



1		2		3		4		5																								
No.	NAME	MATERIAL	DWG/MATL No.	CODE	Q'TY	SIZE	WEIGHT	REMARK																								
					0																											
A									A																							
B									B																							
C									C																							
D			<p>OUTPUT SHAFT KEY 14 x 9 x 40</p>						D																							
E			<table border="1"> <thead> <tr> <th colspan="2">BEARING</th> </tr> </thead> <tbody> <tr> <td>INPUT SHAFT</td> <td>#6008ZZ #6305ZZ</td> </tr> <tr> <td>2ND PINION</td> <td>#6302ZZ #6304ZZ</td> </tr> <tr> <td>3RD PINION</td> <td>#6305ZZ #6305ZZ</td> </tr> <tr> <td>OUTPUT SHAFT</td> <td>#6310ZZ #PM4020</td> </tr> </tbody> </table>		BEARING		INPUT SHAFT	#6008ZZ #6305ZZ	2ND PINION	#6302ZZ #6304ZZ	3RD PINION	#6305ZZ #6305ZZ	OUTPUT SHAFT	#6310ZZ #PM4020	<table border="1"> <tbody> <tr> <td colspan="2">OIL SEAL</td> <td colspan="2">GREASE : NLGI(EP)00</td> </tr> <tr> <td>MOTOR SHAFT</td> <td>D(M) 22x35x8</td> <td>ABOUT</td> <td>1.2 kg</td> </tr> <tr> <td>OUTPUT SHAFT</td> <td>D(M) 50x72x12</td> <td>WEIGHT</td> <td>54 kg</td> </tr> </tbody> </table>		OIL SEAL		GREASE : NLGI(EP)00		MOTOR SHAFT	D(M) 22x35x8	ABOUT	1.2 kg	OUTPUT SHAFT	D(M) 50x72x12	WEIGHT	54 kg				
BEARING																																
INPUT SHAFT	#6008ZZ #6305ZZ																															
2ND PINION	#6302ZZ #6304ZZ																															
3RD PINION	#6305ZZ #6305ZZ																															
OUTPUT SHAFT	#6310ZZ #PM4020																															
OIL SEAL		GREASE : NLGI(EP)00																														
MOTOR SHAFT	D(M) 22x35x8	ABOUT	1.2 kg																													
OUTPUT SHAFT	D(M) 50x72x12	WEIGHT	54 kg																													
F			<table border="1"> <thead> <tr> <th colspan="2">DWG NAME</th> </tr> </thead> <tbody> <tr> <td colspan="2">외형도 OUTLINE DIMENSION</td> </tr> <tr> <th>DWG No.</th> <td>EK2D007337</td> </tr> <tr> <th>UNIT</th> <td>mm</td> </tr> <tr> <th>SCALE</th> <td>1:1</td> </tr> </tbody> </table>		DWG NAME		외형도 OUTLINE DIMENSION		DWG No.	EK2D007337	UNIT	mm	SCALE	1:1																		
DWG NAME																																
외형도 OUTLINE DIMENSION																																
DWG No.	EK2D007337																															
UNIT	mm																															
SCALE	1:1																															
No.		DATE		DESCRIPTION of REVISION		DESIGNED	CHECKED	REVIEWED	APPROVED	DATE	2019-01-14																					
A4(210X297mm)		FORM CE-14-0100-444 2013.11.20				2019.01.14 최성민	2019.01.14 문병선	2019.01.14 박희성	2019.01.14 홍원철	REVISION No.	01																					
TYPE		FVI_90Fr(1.5kW)_75~90:1N Type		REF. No.		(EK2D006068)		THIRD ANGLE PROJECTION		A																						

이 도면상에 표시된 정보는 표명된(주)의 소유이며 당사의 사전 서면동의 없이 무단사용을 금합니다.