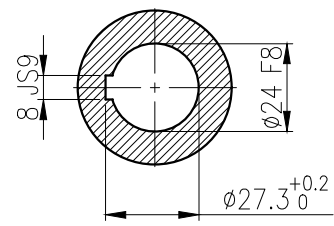
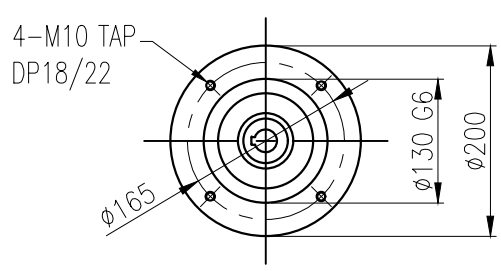


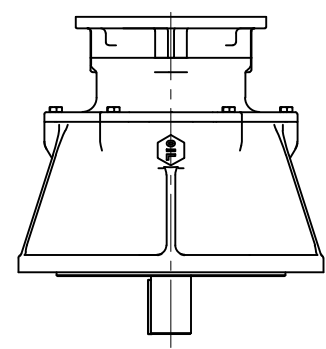
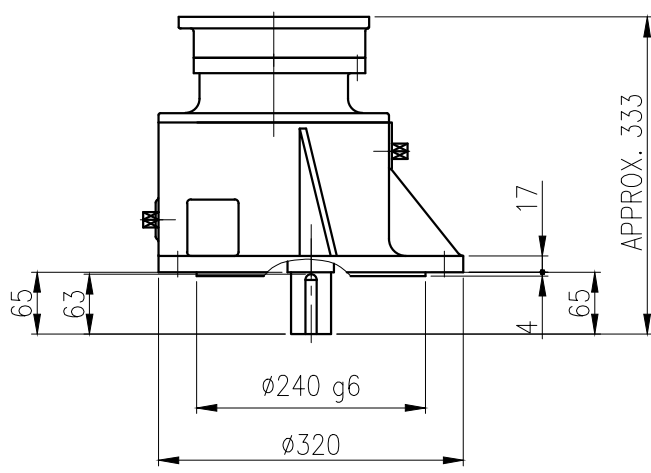
1	2	3	4	5				
No.	NAME	MATERIAL	DWG/MATL No.	CODE	Q'TY	SIZE	WEIGHT	REMARK
					0			

A



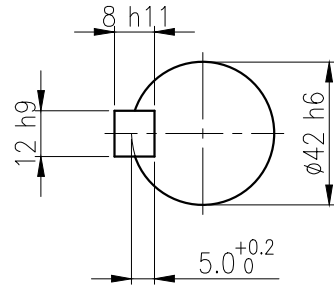
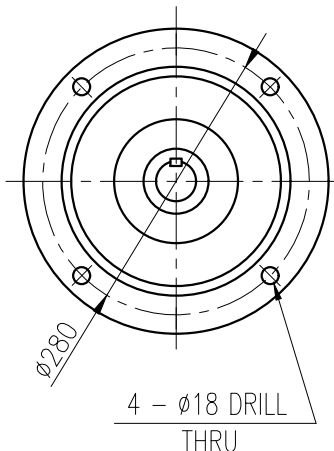
INPUT SHAFT

B



C

D



OUTPUT SHAFT

KEY 12 x 8 x 57

E

		BEARING			
OIL SEAL		INPUT SHAFT	#6008ZZ	#6305ZZ	
		2ND PINION	#6302ZZ	#6303ZZ	GREASE : NLGI(EP)00
MOTOR SHAFT	D(M) 22x35x8	3RD PINION	#6303ZZ	#6305ZZ	ABOUT 1.2 kg
OUTPUT SHAFT	D(M) 45x68x12	OUTPUT SHAFT	#6309ZZ	#PM3020	WEIGHT 47 kg

F

		DWG NAME				외형도 OUTLINE DIMENSION					
		DWG No.				EK2D007336					
		UNIT				mm					
		SCALE				1:1					
No.	DATE	DESCRIPTION of REVISION				DESIGNED	CHECKED	REVIEWED	APPROVED	DATE	2019-01-14
A4(210x297mm)	FORM CE-14-0100-444 2013.11.20					2019.01.14 최성민	2019.01.14 문병선	2019.01.14 박희성	2019.01.14 홍원철	REVISION No.	01
TYPE						FVI_90Fr(1.5kW)_40~60:1N Type				REF. No.	(EK2D006067)

The information written in this drawing is HYOSUNG HEAVY INDUSTRIES's property, and may not be disclosed and/or reproduced without the prior official permission of HYOSUNG HEAVY INDUSTRIES Corp.

이 도면상에 표시된 정보는 최종공급(주)의 소유이며 당사의 사전 서면동의 없이 무단사용을 금합니다.