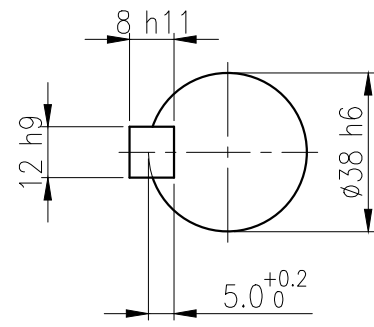
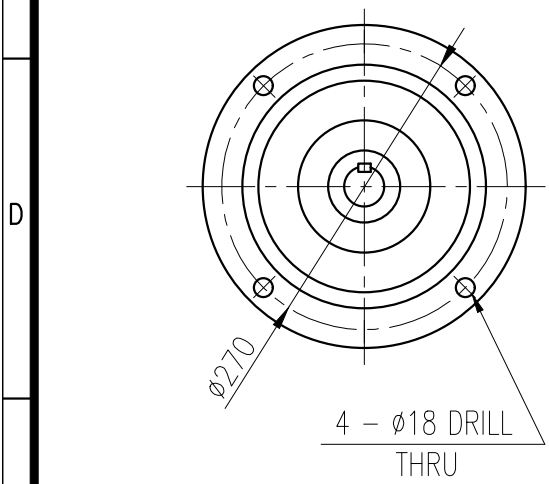
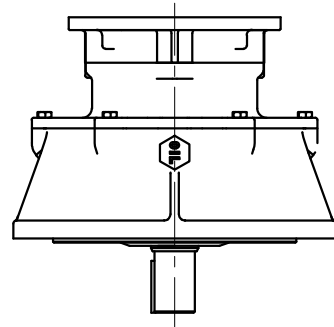
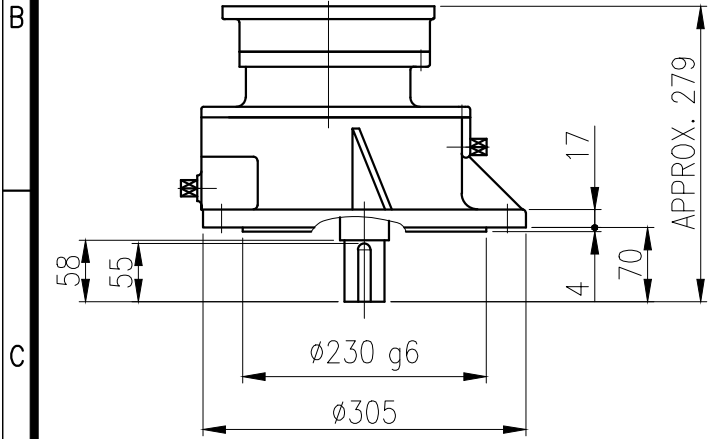


INPUT SHAFT



OUTPUT SHAFT

KEY 12 x 8 x 49

		BEARING		
OIL SEAL		INPUT SHAFT	#6008ZZ #6305ZZ	
MOTOR SHAFT	D(M) 22x35x8	2ND PINION	#6304ZZ #6305ZZ	GREASE : NLGI(EP)00
OUTPUT SHAFT	D(M) 45x68x12	3RD PINION	-	ABOUT 0.3 kg
		OUTPUT SHAFT	#6209ZZ #PM3020	WEIGHT 36 kg

		DWG NAME				외형도 OUTLINE DIMENSION	
		DWG No.		EK2D007338		UNIT	mm
				SCALE		1:1	
No.	DATE	DESCRIPTION of REVISION		DESIGNED	CHECKED	REVIEWED	APPROVED
				2019.01.14	2019.01.14	2019.01.14	2019.01.14
				최성민	문병선	박희성	홍원철
				REVISION No.		01	
				THIRD ANGLE PROJECTION			
		TYPE		REF. No.			
		FVI_90Fr(1.5kW)_30:1N Type		(EK2D006069)		A	

The information written in this drawing is HYOSUNG HEAVY INDUSTRIES's property, and may not be disclosed and/or reproduced without the prior official permission of HYOSUNG HEAVY INDUSTRIES Corp.

이 도면상에 표시된 정보는 호성중공업(주)의 소유이며 당사의 사전 서면동의 없이 무단사용을 금합니다.