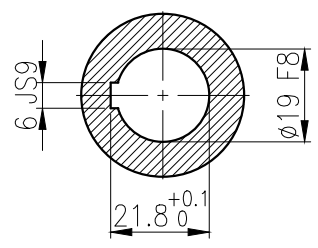
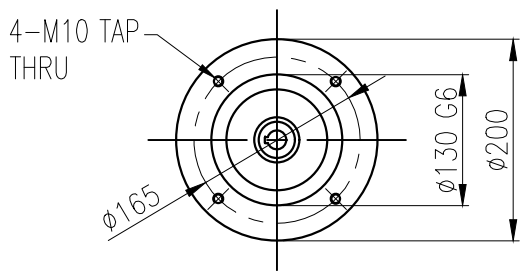


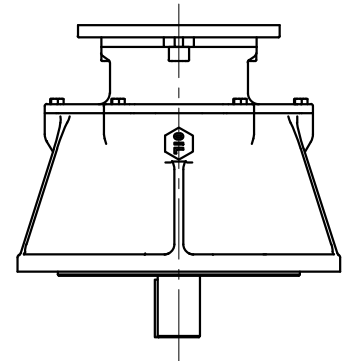
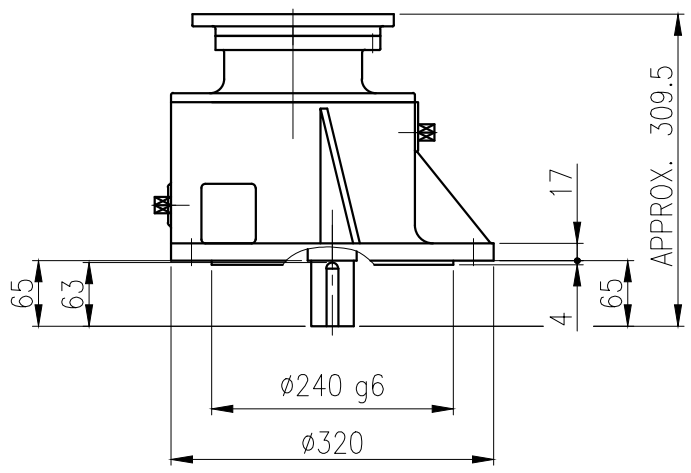
1	2	3	4	5				
No.	NAME	MATERIAL	DWG/MATL No.	CODE	Q'TY	SIZE	WEIGHT	REMARK
					0			

A



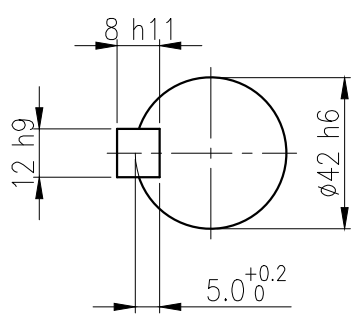
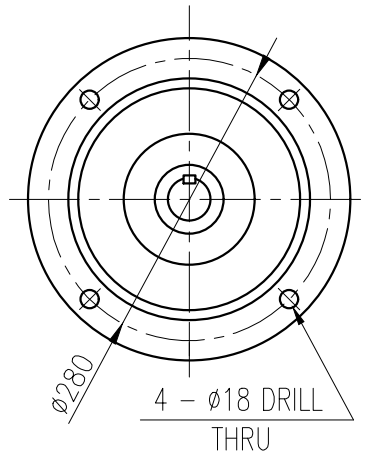
INPUT SHAFT

B



C

D



OUTPUT SHAFT

KEY 12 x 8 x 57

E

		BEARING			
		INPUT SHAFT	#6006ZZ	#6205ZZ	
OIL SEAL		2ND PINION	#6302ZZ	#6303ZZ	GREASE : NLGI(EP)00
MOTOR SHAFT	D(M) 18x30x8	3RD PINION	#6303ZZ	#6305ZZ	ABOUT 1.2 kg
OUTPUT SHAFT	D(M) 45x68x12	OUTPUT SHAFT	#6309ZZ	#PM2025	WEIGHT 46 kg

F

		외형도 OUTLINE DIMENSION				DWG NAME	
		EKG2D007333				UNIT	mm
						SCALE	1:1
No.	DATE	DESCRIPTION of REVISION		DESIGNED	CHECKED	REVIEWED	APPROVED
A4(210x297mm)	FORM CE-14-0100-444 2013.11.20	HYOSUNG HEAVY INDUSTRIES		2019.01.14 최성민	2019.01.14 문병선	2019.01.14 박희성	2019.01.14 홍원철
TYPE		FVI_80Fr(0.75kW)_75~90:1N Type		REVISION No.		01	
				THIRD ANGLE PROJECTION			
				REF. No.		(EK2D006064)	
						(A)	

The information written in this drawing is HYOSUNG HEAVY INDUSTRIES's property, and may not be disclosed and/or reproduced without the prior official permission of HYOSUNG HEAVY INDUSTRIES Corp.

이 도면상에 표시된 정보는 호성중공업(주)의 소유이며 당사의 사전 서면동의 없이 무단사용을 금합니다.