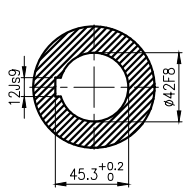
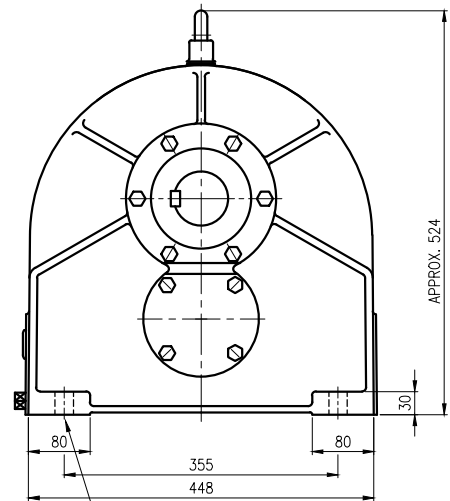
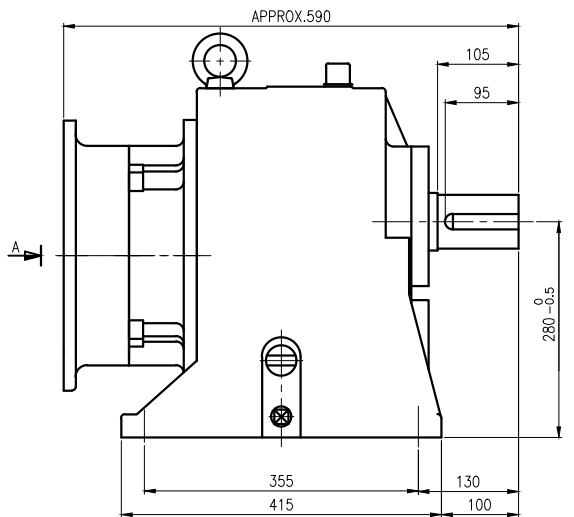
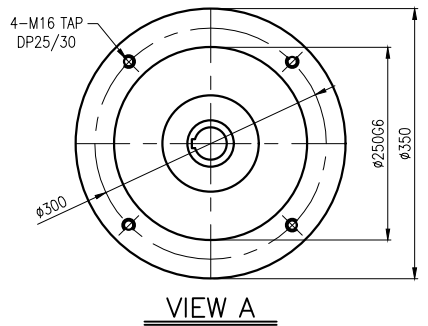
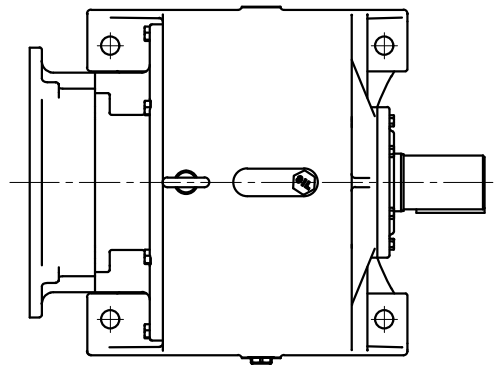
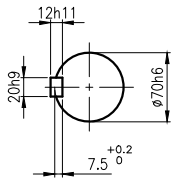


No.	NAME	MATERIAL	DWG/MATL No.	CODE	Q'TY	SIZE	WEIGHT	REMARK
					0			



INPUT SHAFT



OUTPUT SHAFT
KEY 20 x 12 x 85

		BEARING			
	INPUT SHAFT	6212ZZ	6311ZZ		
	2ND PINION	30209	30309	OIL : ISO VG 220	
MOTOR SHAFT	D(M) 55 x 78 x 12	3RD PINION	-	ABOUT	10 l
OUTPUT SHAFT	D(M) 75 x 100 x 13	OUTPUT SHAFT	30213 30215	WEIGHT	195 kg

		외형도 OUTLINE DIMENSION					
DWG NAME		EKG2D007327		UNIT	mm		
DWG No.				SCALE	1:1		
No.	DATE	DESIGNED	CHECKED	REVIEWED	APPROVED	DATE	2018-11-01
		최성민	문병선	박희성	홍원철		
DESCRIPTION of REVISION		REVISION No.		00		THIRD ANGLE PROJECTION	
FORM A3(420X297mm) DE-14-0100-443 2013.11.20		HYOSUNG HEAVY INDUSTRIES		REF. No.		(EK2D006018)	
TYPE		FHI_160Fr(11&15kW)_30:1 N Type				(A)	