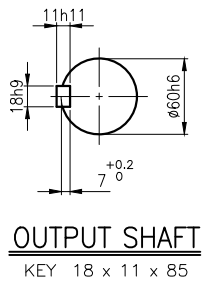
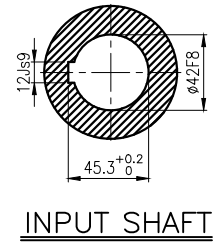
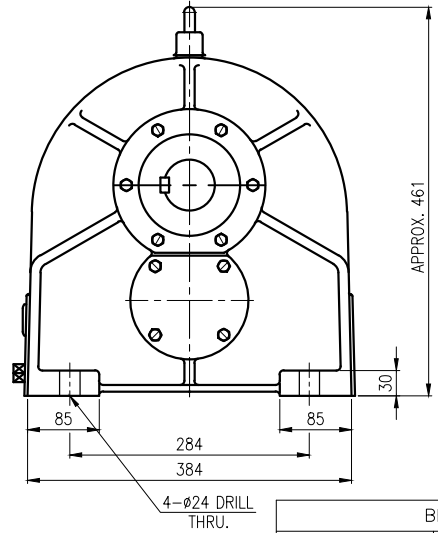
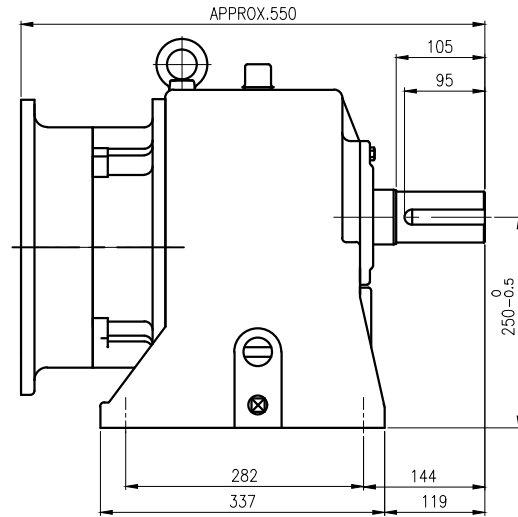
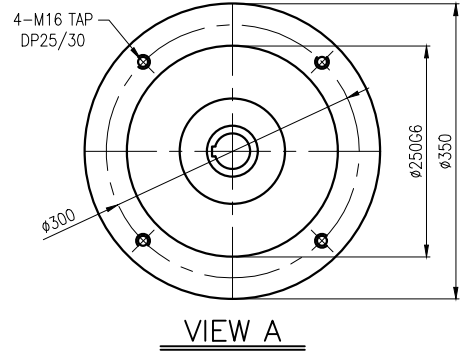
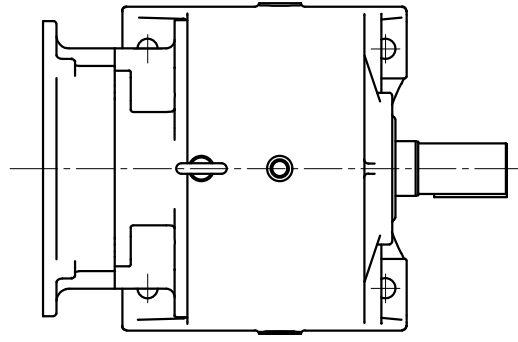


No.	NAME	MATERIAL	DWG/MATL No.	CODE	Q'TY	SIZE	WEIGHT	REMARK
					0			



		BEARING			
	INPUT SHAFT	6212ZZ	6310ZZ		
	2ND PINION	30208	30308	OIL : ISO VG 220	
	3RD PINION	-	-	ABOUT 9 l	
	OUTPUT SHAFT	30212	30213	WEIGHT 133 kg	

		OIL SEAL			
	MOTOR SHAFT	D(M) 50 x 72 x 12			
	OUTPUT SHAFT	D(M) 65 x 95 x 13			

		외형도 OUTLINE DIMENSION			
DWG NAME		EKG2D007326			
DWG No.		UNIT mm		SCALE 1:1	
No.	DATE	DESIGNED	CHECKED	REVIEWED	APPROVED
		최성민	문병선	박희성	홍원철
DESCRIPTION of REVISION		DESIGNED	CHECKED	REVIEWED	APPROVED
TYPE FHL_160Fr(11&15kW)_5~20:1 N Type		DATE	DATE	DATE	DATE
REF. No.		(EK2D006017)			(A)