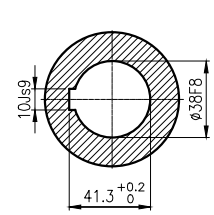
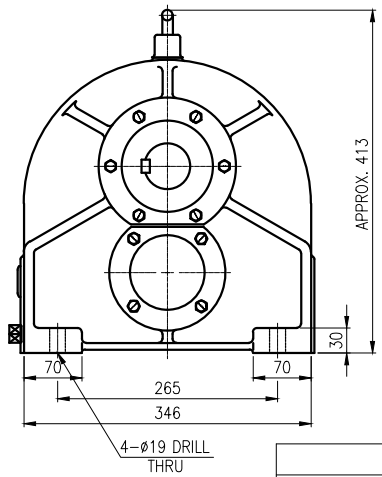
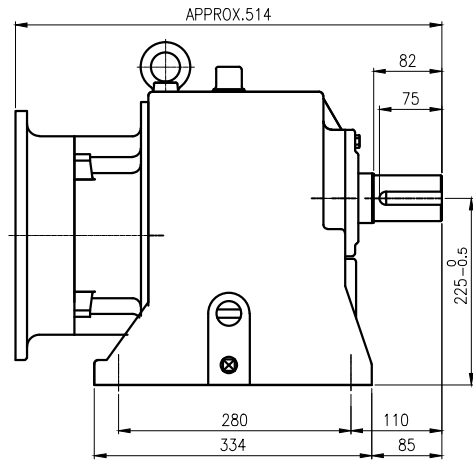
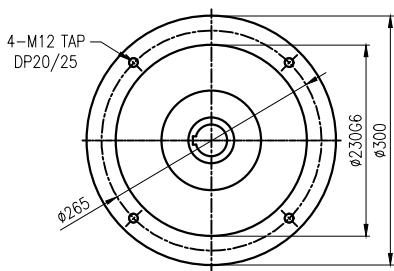
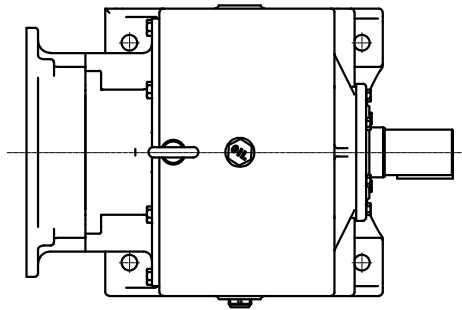
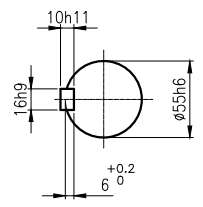


No.	NAME	MATERIAL	DWG/MATL No.	CODE	Q'TY	SIZE	WEIGHT	REMARK
					0			



INPUT SHAFT



OUTPUT SHAFT
KEY 16 x 10 x 66

		BEARING			
	INPUT SHAFT	6011ZZ	6309ZZ		
	OIL SEAL	2ND PINION	30208	30308	OIL : ISO VG 220
	MOTOR SHAFT D(M)	45 x 68 x 12	3RD PINION	-	ABOUT 7 l
	OUTPUT SHAFT D(M)	60 x 82 x 12	OUTPUT SHAFT	30211	30212
					WEIGHT 120 kg

		외형도 OUTLINE DIMENSION			
DWG NAME		EKG2D007325			
DWG No.		UNIT mm		SCALE 1:1	
No.	DATE	DESIGNER	CHECKER	REVIEWER	APPROVER
2018.11.01	최성민	문병선	박희성	홍원철	
REVISION No. 00					DATE 2018-11-01
THIRD ANGLE PROJECTION					
FORM A3(420x297mm) DE-14-0100-443 2013.11.20					REF. No. (EK2D006016)
TYPE FHL_132Fr(5.5&7.5kW)_30:1N Type					