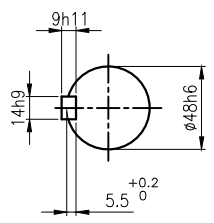
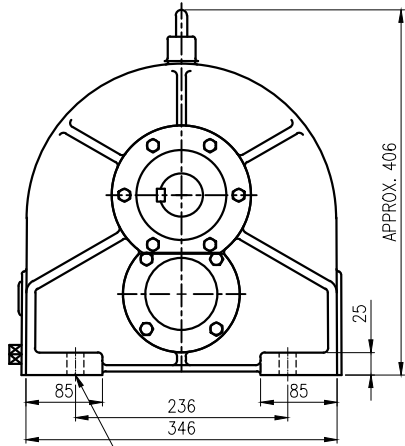
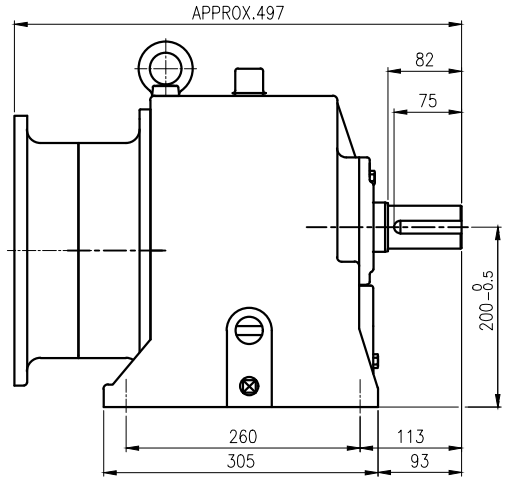
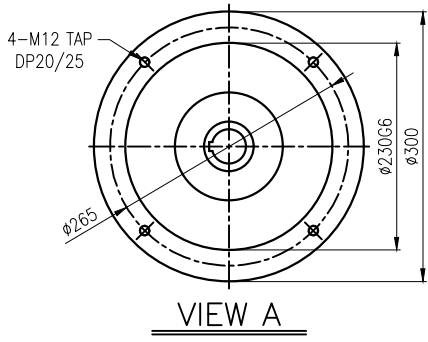
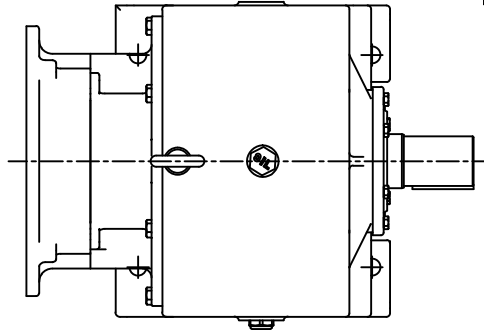
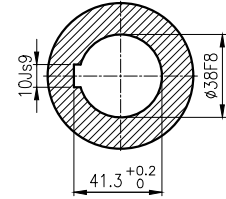


No.	NAME	MATERIAL	DWG/MATL No.	CODE	Q'TY	SIZE	WEIGHT	REMARK
					0			



OUTPUT SHAFT
KEY 14 x 9 x 68



INPUT SHAFT

		BEARING			
		INPUT SHAFT	6011ZZ	6308ZZ	
		2ND PINION	30207	30307	OIL : ISO VG 220
		3RD PINION	-	-	ABOUT 5 l
		OUTPUT SHAFT	30209	30211	WEIGHT 100 kg

		외형도 OUTLINE DIMENSION			
		DWG NAME		EYK2D007324	
		DWG No.		UNIT	mm
				SCALE	1:1
No.	DATE	DESIGNER	CHECKED	REVIEWED	APPROVED
		최성민	문병선	박희성	홍원철
		REVISION No.		00	
		THIRD ANGLE PROJECTION			
		REF. No.		(EK2D006015)	

FORM A3(420x297mm)
DE-14-0100-443
2013.11.20

HYOSUNG HEAVY INDUSTRIES
TYPE FHL_132Fr(5.5&7.5kW)_5~20:1N Type