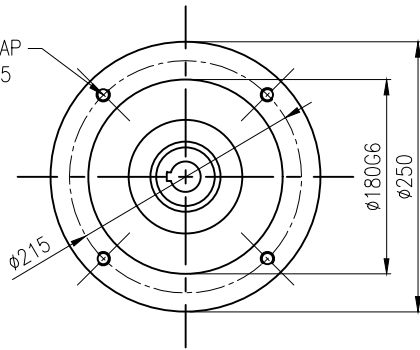
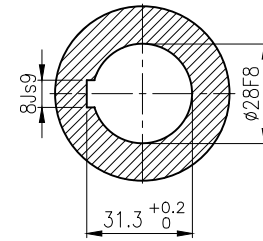


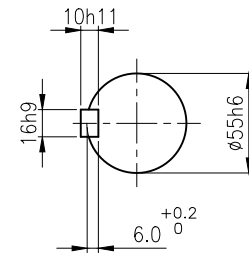
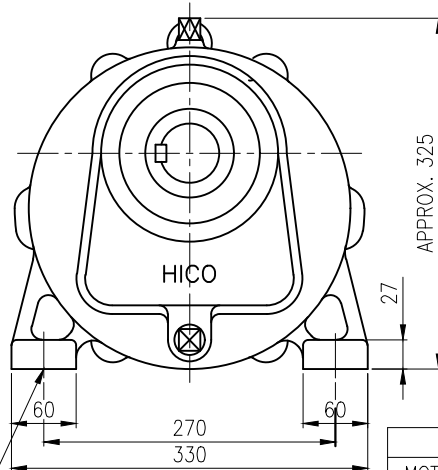
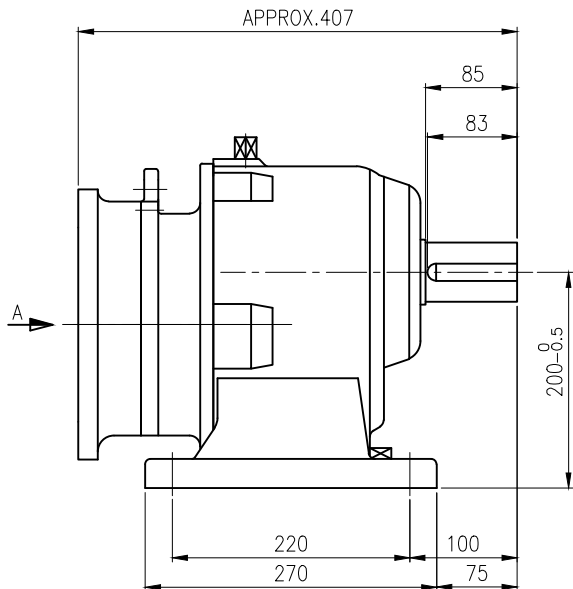
4-M12 TAP
DP20/25



VIEW A



INPUT SHAFT



OUTPUT SHAFT

KEY 16 x 10 x 75

4- ϕ 22 DRILL
THRU

		BEARING			
	INPUT SHAFT	#6009ZZ	#6307ZZ		
	2ND PINION	#6305ZZ	#6305ZZ	GREASE : NLGI(EP)00	
MOTOR SHAFT	D(M) 28x40x8	3RD PINION	#6306ZZ	#5305ZZ	ABOUT 1.8 kg
OUTPUT SHAFT	D(M) 60x82x12	OUTPUT SHAFT	#6312ZZ	#PM4020	WEIGHT 77 kg

		DWG NAME		외형도 DIMENSION			
		EKG2D007323		UNIT	mm		
				SCALE	1:5		
No.	DATE	DESIGNED	CHECKED	REVIEWED	APPROVED	DATE	2018-11-01
		최성민	문병선	박희성	홍원철		
FORM		REVISION No.		THIRD ANGLE PROJECTION		01	
AS(400x307mm) 05-14-0100-443 2018.11.20		TYPE		FHI_112Fr(3.7kW)_40~60:1N Type		REF. No. (EK2D006014)	