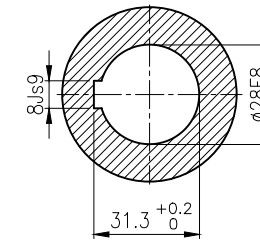
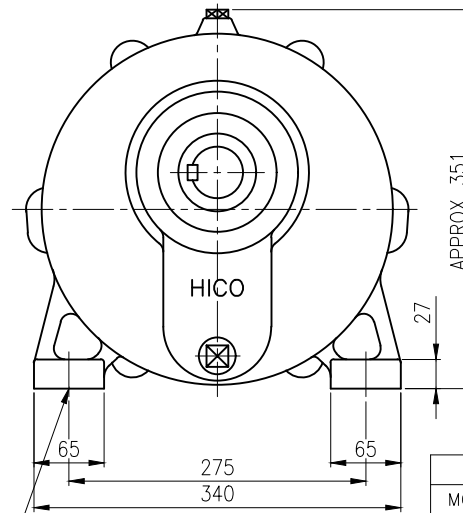
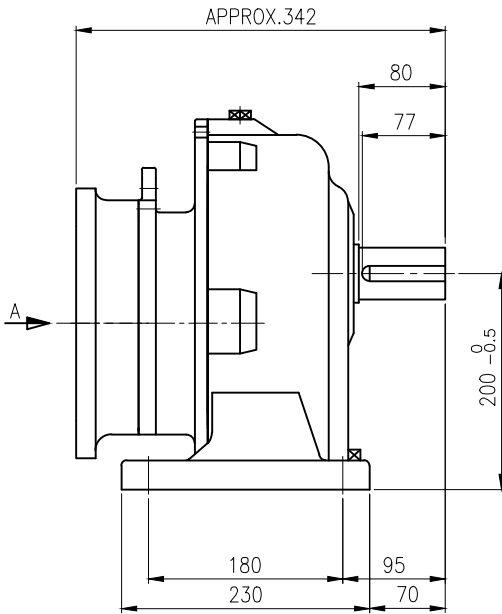


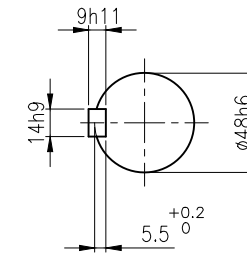
VIEW A



INPUT SHAFT



4- $\phi$ 19 DRILL THRU



OUTPUT SHAFT

KEY 14 x 9 x 70

		BEARING			
		INPUT SHAFT	#6009ZZ	#6307ZZ	
		2ND PINION	#6306ZZ	#6306ZZ	GREASE : NLGI(EP)00
MOTOR SHAFT	D(M) 28x40x8	3RD PINION	-	-	ABOUT 0.8 kg
OUTPUT SHAFT	D(M) 50x72x12	OUTPUT SHAFT	#6210ZZ	#PM4020	WEIGHT 62 kg

		외형도 DIMENSION			
DWG NAME		EKG2D007322		UNIT	mm
DWG No.				SCALE	1:5
No.	DATE	DESIGNED	CHECKED	REVIEWED	APPROVED
		2018.11.01	2018.11.01	2018.11.01	2018.11.01
		최성민	문병선	박희성	홍원철
DESCRIPTION of REVISION		REVISION No.		01	
TYPE		FHI_112Fr(3.7kW)_30:1N Type		THIRD ANGLE PROJECTION	
REF. No.		(EK2D006013)		(A)	