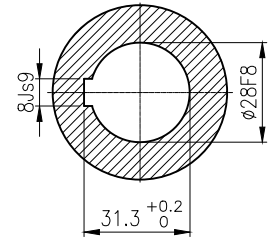
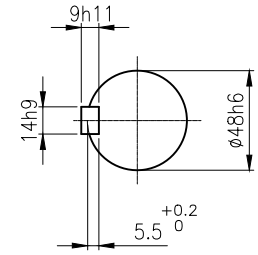
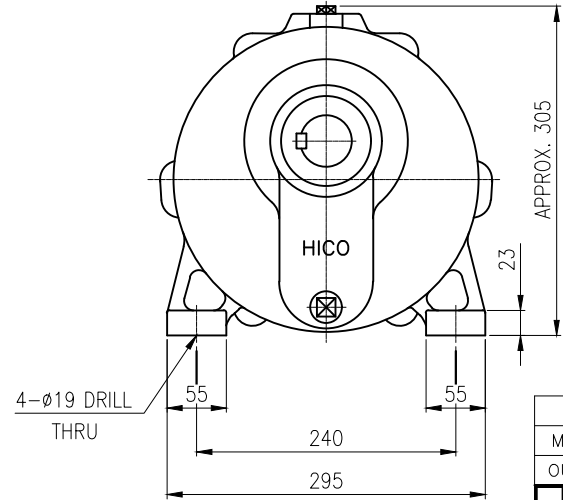
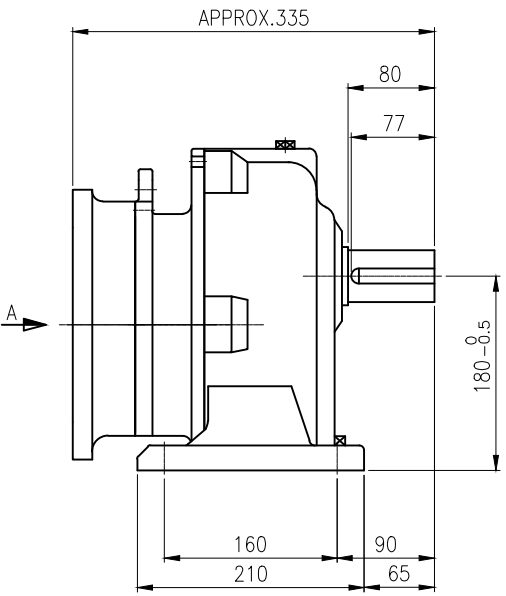


VIEW A



INPUT SHAFT



OUTPUT SHAFT

KEY 14 x 9 x 70

		BEARING			
	INPUT SHAFT	#6009ZZ	#6307ZZ		
	2ND PINION	#6306ZZ	#6305ZZ	GREASE : NLGI(EP)00	
MOTOR SHAFT	D(M) 28x40x8	3RD PINION	-	ABOUT	0.6 kg
OUTPUT SHAFT	D(M) 50x72x12	OUTPUT SHAFT	#6210ZZ #PM4020	WEIGHT	49 kg

		DWG NAME		외형도					
		DIMENSION		DIMENSION					
		DWG No. EK2D007321		UNIT	mm				
				SCALE	1:5				
No.	DATE	DESCRIPTION of REVISION		DESIGNED	CHECKED	REVIEWED	APPROVED	DATE	2018-11-01
AS (400x307mm)	FORM 05-14-0100-443 2018.11.20	HYOSUNG		최성민	문병선	박희성	홍원철	2018.11.01	2018.11.01
TYPE		FHI_112Fr(3.7kW)_5~20:1N Type		REF. No.		(EK2D006012)		REVISION No. 01	
								THIRD ANGLE PROJECTION	