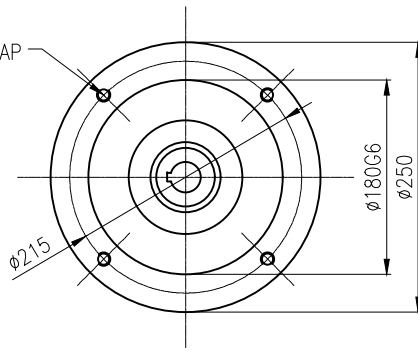
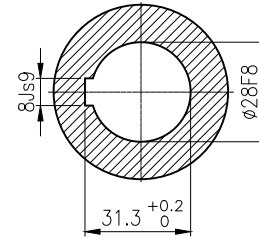


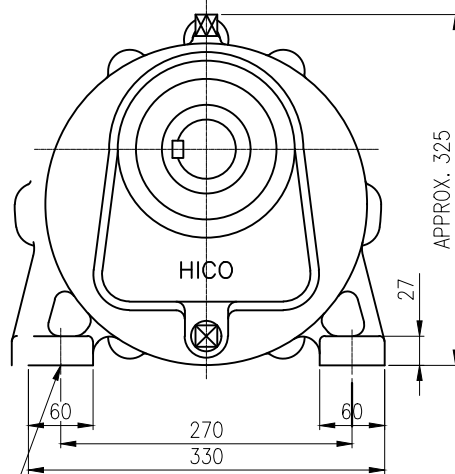
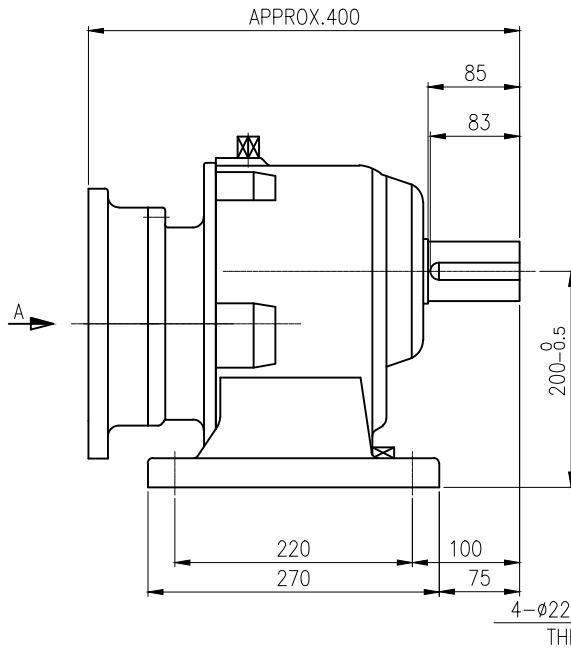
4-M12 TAP THRU



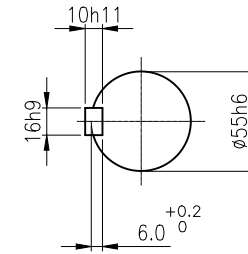
VIEW A



INPUT SHAFT



HICO



OUTPUT SHAFT

KEY 16 x 10 x 75

		BEARING			
	INPUT SHAFT	#6009ZZ	#6306ZZ		
	2ND PINION	#6304ZZ	#6305ZZ	GREASE : NLGI(EP)00	
MOTOR SHAFT	D(M) 22x35x8	3RD PINION	#6306ZZ	#5305ZZ	ABOUT 1.8 kg
OUTPUT SHAFT	D(M) 60x82x12	OUTPUT SHAFT	#6312ZZ	#PM4020	WEIGHT 78 kg

		외형도 DIMENSION			
DWG NAME		EK2D007320		UNIT	mm
DWG No.				SCALE	1:5
No.	DATE	DESIGNED	CHECKED	REVIEWED	APPROVED
		최성민	문병선	박희성	홍원철
DESCRIPTION of REVISION		DESIGNED	CHECKED	REVIEWED	APPROVED
		2018.11.01	2018.11.01	2018.11.01	2018.11.01
		최성민	문병선	박희성	홍원철
TYPE		FHL_100Fr(2.2kW)_75~90:1N Type		REVISION No.	01
REF. No.		(EK2D006011)		THIRD ANGLE PROJECTION	