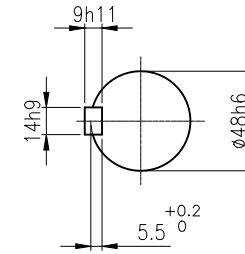
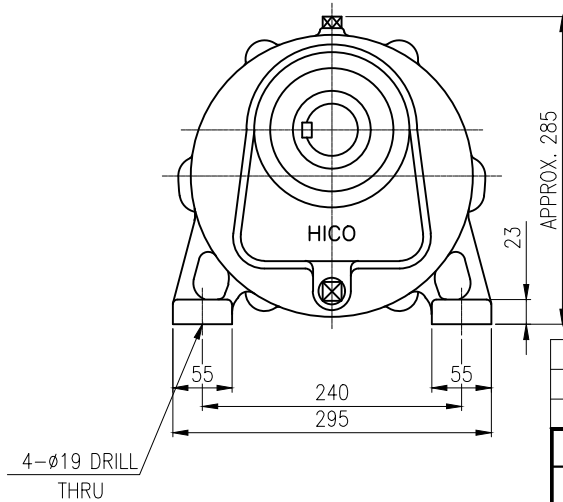
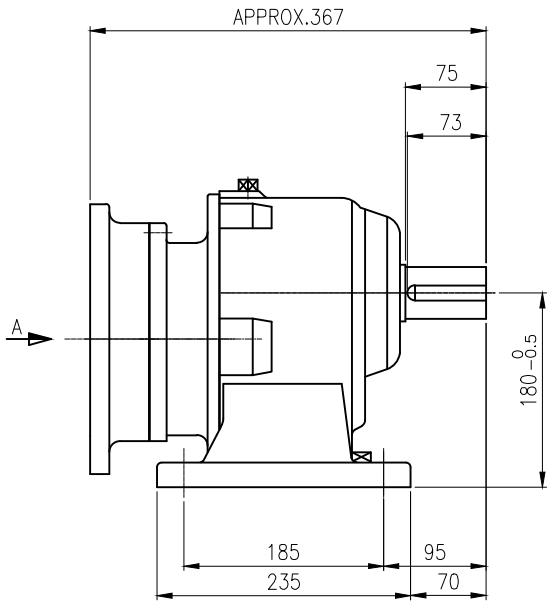


INPUT SHAFT



OUTPUT SHAFT

KEY 14 x 9 x 40

		BEARING			
	INPUT SHAFT	#6009ZZ	#6306ZZ		
	2ND PINION	#6304ZZ	#6304ZZ	GREASE : NLGI(EP)00	
MOTOR SHAFT	D(M) 22x35x8	3RD PINION	#6305ZZ	#6305ZZ	ABOUT 1.2 kg
OUTPUT SHAFT	D(M) 50x72x12	OUTPUT SHAFT	#6310ZZ	#PM4020	WEIGHT 53 kg

		외형도 DIMENSION			
		DWG No. EK2D007319		UNIT mm	SCALE 1:5
No.	DATE	DESCRIPTION of REVISION		DESIGNED	CHECKED
2018.11.01	최성민	2018.11.01	문병선	2018.11.01	박희성
2018.11.20		2018.11.01	최성민	2018.11.01	최성민
FORM AS(400x307mm) 05-14-0100-403 2018.11.20		HYOSUNG		REVISION No. 01	THIRD ANGLE PROJECTION
TYPE FHI_100Fr(2.2kW)_40~60:1N Type		REF. No. (EK2D006010)		DATE 2018-11-01	