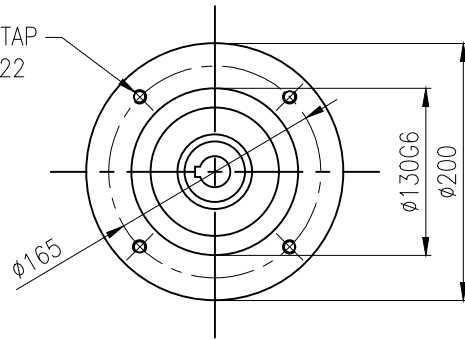
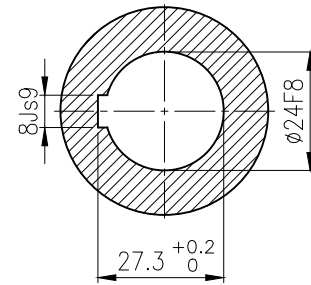


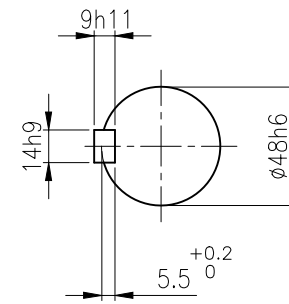
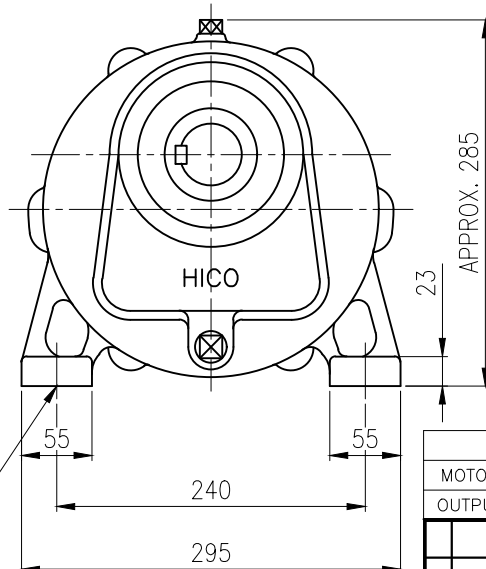
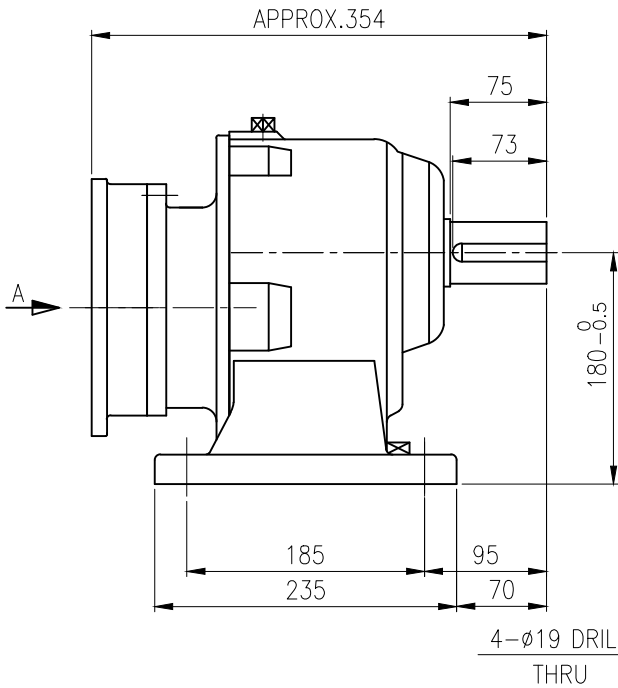
4-M10 TAP
DP18/22



VIEW A



INPUT SHAFT



OUTPUT SHAFT

KEY 14 x 9 x 40

		BEARING			
	INPUT SHAFT	#6008ZZ	#6303ZZ		
	2ND PINION	#6302ZZ	#6304ZZ	GREASE : NLGI(EP)00	
MOTOR SHAFT	D(M) 22x35x8	3RD PINION	#6305ZZ	#6305ZZ	ABOUT 1.2 kg
OUTPUT SHAFT	D(M) 50x72x12	OUTPUT SHAFT	#6310ZZ	#PM4020	WEIGHT 52 kg

		외형도 DIMENSION			
DWG NAME		EKG2D007317		UNIT	mm
DWG No.				SCALE	1:4.2
No.	DATE	DESIGNED	CHECKED	REVIEWED	APPROVED
		2018.11.01	2018.11.01	2018.11.01	2018.11.01
		최성민	문병선	박희성	홍원철
DESCRIPTION of REVISION		REVISION No.		01	
FORM AS(400x307mm) 02-14-0100-403 2018.11.20		THIRD ANGLE PROJECTION			
TYPE FHI_90Fr(1.5kW)_75~90:1N Type		REF. No.		(EK2D006008)	