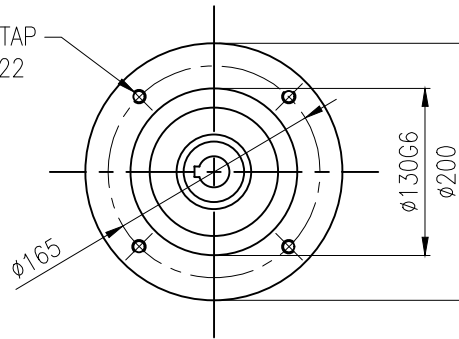
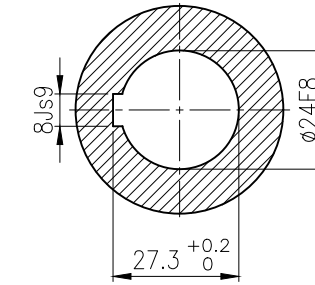


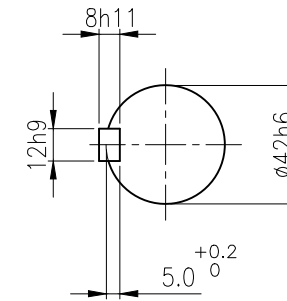
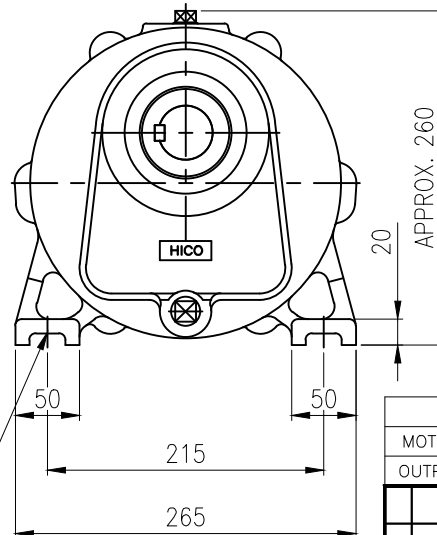
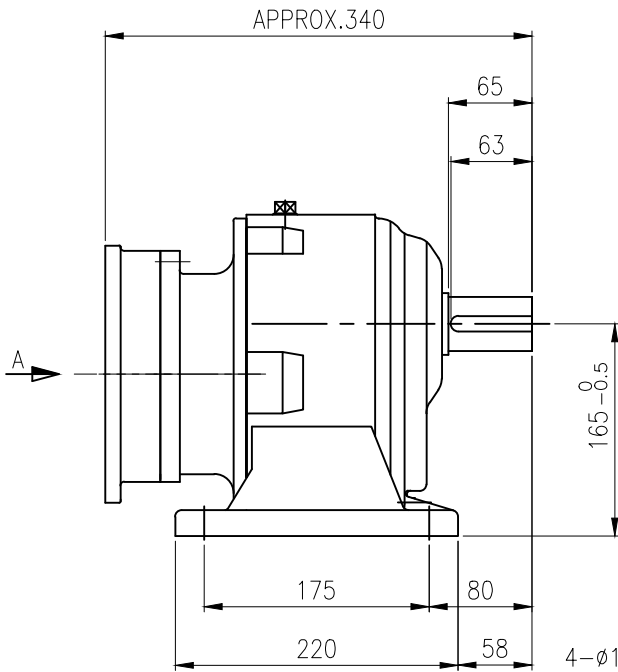
4-M10 TAP
DP18/22



VIEW A



INPUT SHAFT



OUTPUT SHAFT

KEY 12 x 8 x 57

		BEARING			
	INPUT SHAFT	#6008ZZ	#6303ZZ		
	2ND PINION	#6302ZZ	#6303ZZ	GREASE : NLGI(EP)00	
MOTOR SHAFT	D(M) 22x35x8	3RD PINION	#6303ZZ	#6305ZZ	ABOUT 0.8 kg
OUTPUT SHAFT	D(M) 45x68x12	OUTPUT SHAFT	#6309ZZ	#PM3020	WEIGHT 40 kg

		외형도 DIMENSION			
DWG NAME		EKG2D007316		UNIT	mm
DWG No.				SCALE	1:4.2
No.	DATE	DESIGNED	CHECKED	REVIEWED	APPROVED
2018.11.01	2018.11.01	2018.11.01	2018.11.01	2018.11.01	2018.11.01
DESCRIPTION of REVISION		DESIGNED	CHECKED	REVIEWED	APPROVED
2018.11.01		최성민	문병선	박희성	홍원철
TYPE		FHI_90Fr(1.5kW)_40~60:1N Type		REF. No.	(EK2D006007)
FORM		AS(400x307mm)		REVISION No.	01
DATE		2018.11.20		THIRD ANGLE PROJECTION	