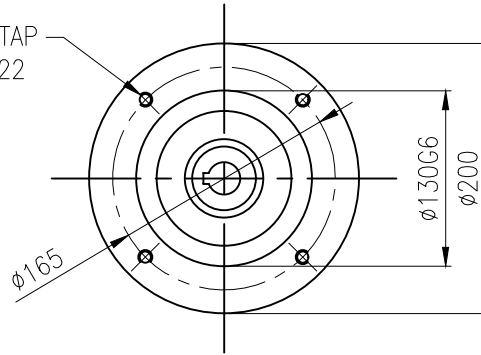
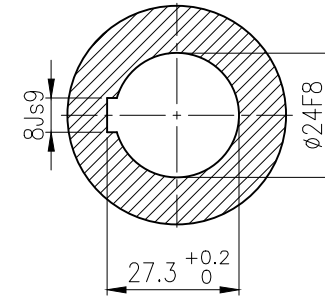


4-M10 TAP  
DP18/22

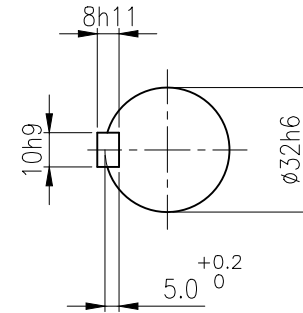
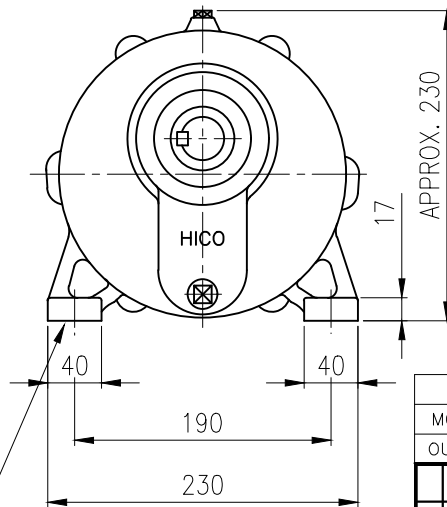
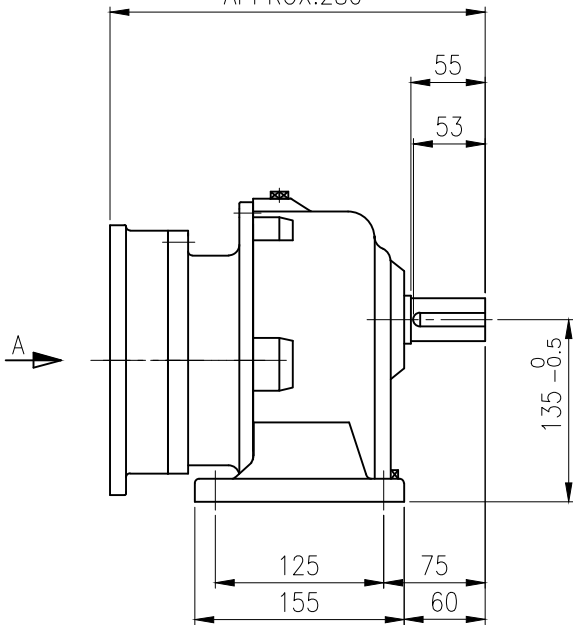


VIEW A



INPUT SHAFT

APPROX. 280



OUTPUT SHAFT

KEY 10 x 8 x 48

		BEARING			
	INPUT SHAFT	#6008ZZ	#6305ZZ		
	2ND PINION	#6302ZZ	#6304ZZ	GREASE : NLGI(EP)00	
MOTOR SHAFT	D(M) 22x35x8	3RD PINION	-	ABOUT	0.3 kg
OUTPUT SHAFT	D(M) 35x55x11	OUTPUT SHAFT	#6307ZZ #PM2025	WEIGHT	24 kg

		외형도 DIMENSION					
DWG NAME		EKG2D007314		UNIT	mm		
DWG No.				SCALE	1:4		
No.	DATE	DESIGNED	CHECKED	REVIEWED	APPROVED	DATE	2018-11-01
		최성민	문병선	박희성	홍원철		
DESCRIPTION of REVISION		REVISION No.		01		THIRD ANGLE PROJECTION	
FORM 43 2013.11.20		HYOSUNG		REF. No.		(EK2D006005)	
TYPE FHI_90Fr(1.5kW)_5~20:1N Type						(A)	