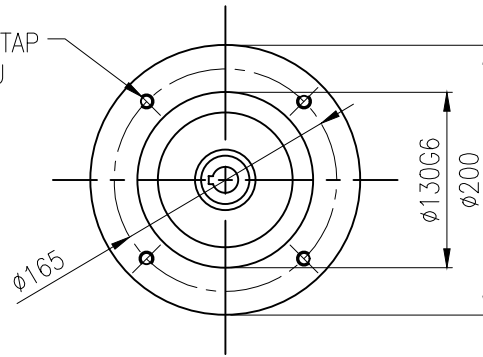
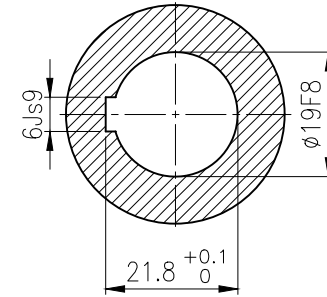


4-M10 TAP THRU

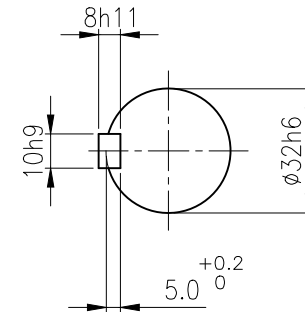
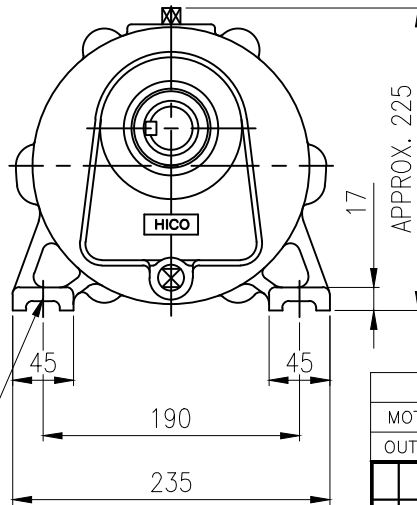
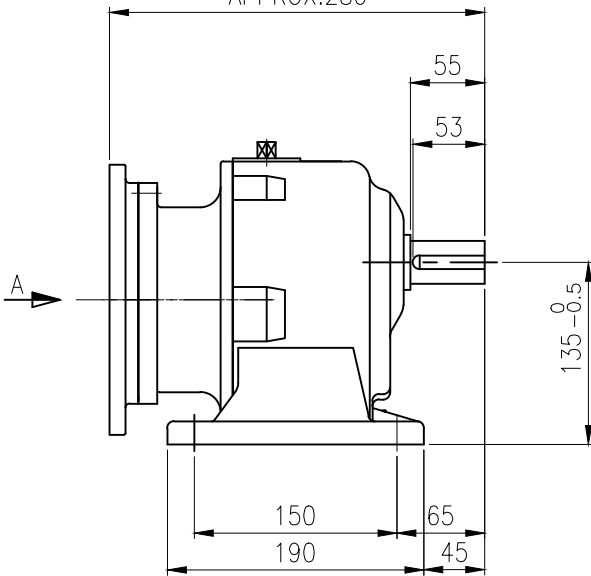


VIEW A



INPUT SHAFT

APPROX.280



OUTPUT SHAFT

KEY 10 x 8 x 48

BEARING			
INPUT SHAFT	#6006ZZ	#6205ZZ	
2ND PINION	#6301ZZ	#6302ZZ	GREASE : NLGI(EP)00
3RD PINION	#6303ZZ	#6304ZZ	ABOUT 0.5 kg
OUTPUT SHAFT	#6307ZZ	#PM2025	WEIGHT 24 kg

MOTOR SHAFT	D(M) 18x30x8	OUTPUT SHAFT	D(M) 35x55x11
-------------	--------------	--------------	---------------

DWG NAME		외형도 DIMENSION					
DWG No.		EK2D007312		UNIT	mm		
				SCALE	1:4		
No.	DATE	DESIGNED	CHECKED	REVIEWED	APPROVED	DATE	2018-11-01
		최성민	문병선	박희성	홍원철		
FORM		REVISION No.		THIRD ANGLE PROJECTION		01	
AS(400x307mm) 05-14-0100-443 2018.11.20		TYPE		FHL_80Fr(0.75kW)_40~60:1N Type		REF. No. (EK2D006003)	