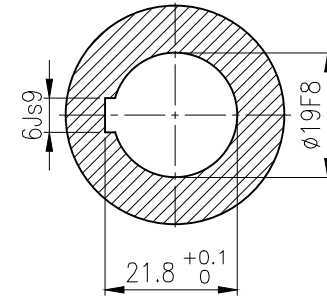
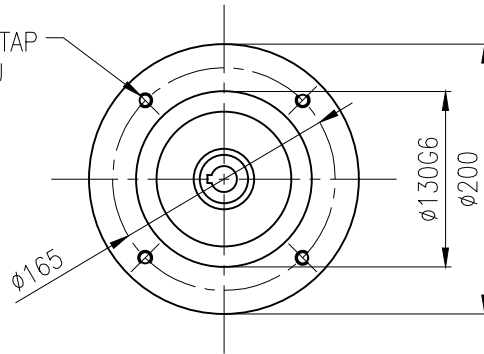


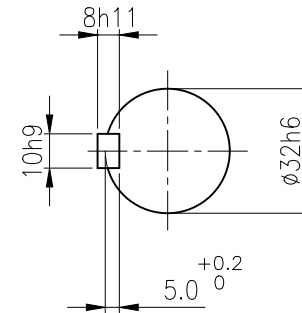
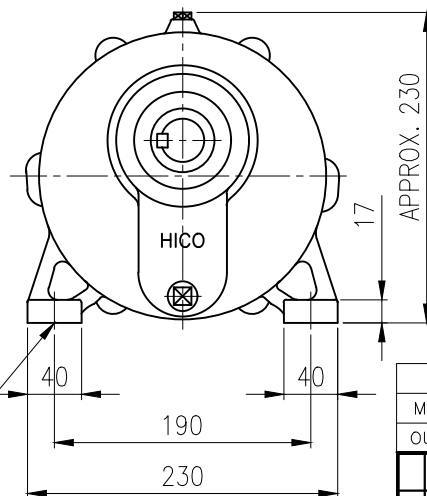
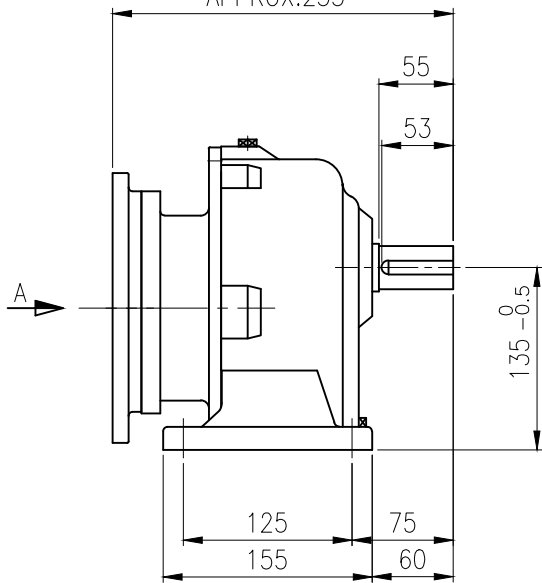
4-M10 TAP THRU



INPUT SHAFT

APPROX.253

VIEW A



OUTPUT SHAFT

KEY 10 x 8 x 48

4- $\phi 12$ DRILL THRU

BEARING			
INPUT SHAFT	#6006ZZ	#6205ZZ	
2ND PINION	#6302ZZ	#6304ZZ	GREASE : NLGI(EP)00
3RD PINION	-	-	ABOUT 0.3 kg
OUTPUT SHAFT	#6307ZZ	#PM2025	WEIGHT 20 kg

MOTOR SHAFT	D(M) 18x30x8	OUTPUT SHAFT	#6307ZZ	#PM2025	WEIGHT	20 kg
-------------	--------------	--------------	---------	---------	--------	-------

DWG NAME		외형도 DIMENSION				
DWG No.		SCALE		UNIT	mm	
EK2D007311		1:4				
No.	DATE	DESIGNED	CHECKED	REVIEWED	APPROVED	DATE
2018.11.01	2018.11.01	2018.11.01	2018.11.01	2018.11.01		2018-11-01
DESCRIPTION of REVISION		DESIGNED	CHECKED	REVIEWED	APPROVED	DATE
TYPE		REF. No.				

FORM 43
2018.11.20



FHI_80Fr(0.75kW)_30:1N Type

REF. No.

(EK2D006002)

(A)