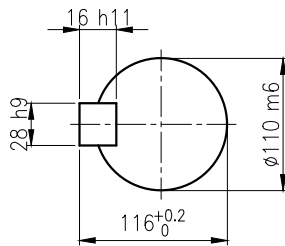
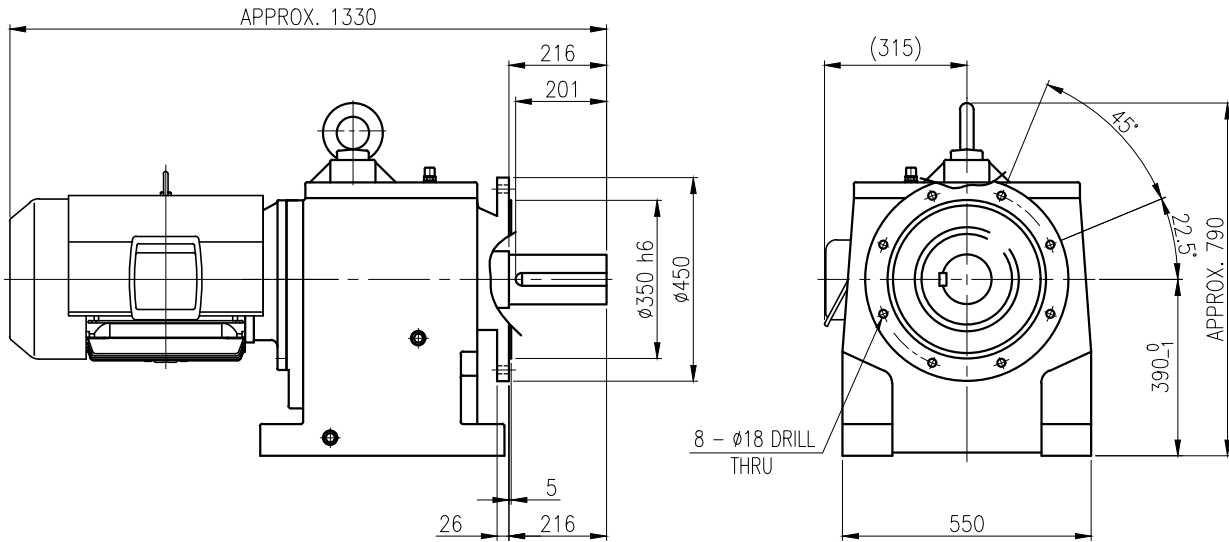


1	2	3	4	5				
No.	NAME	MATERIAL	DWG/MATL No.	CODE	Q'TY	SIZE	WEIGHT	REMARK
					0			



OUTPUT SHAFT
(28 x 16 x 187)

			BEARING		
			INPUT SHAFT	6310ZZ 6312ZZ	
	OIL SEAL		2ND PINION	6310 NJ310E	OIL : ISO VG 220
	MOTOR SHAFT	D(M) 60 x 82 x 12	3RD PINION	NJ312E NJ312E	ABOUT 55 l
	OUTPUT SHAFT	D(M) 125 x 200 x 14	OUTPUT SHAFT	22216 22222	WEIGHT 767 kg

		DWG NAME		외형도 OUTLINE DIMENSION				
		DWG No.		EK2DO07282W0001		UNIT	mm	
						SCALE	1:1	
No.	DATE	DESCRIPTION of REVISION		DESIGNED	CHECKED	REVIEWED	APPROVED	
				2018.10.01	2018.10.01	2018.10.01	2018.10.01	
				최성민	문병선	박희성	홍원철	
				DATE	2018-08-15			
				REVISION No.	01			
				THIRD ANGLE PROJECTION				
				REF. No.	(GKDS477G04)			
								A