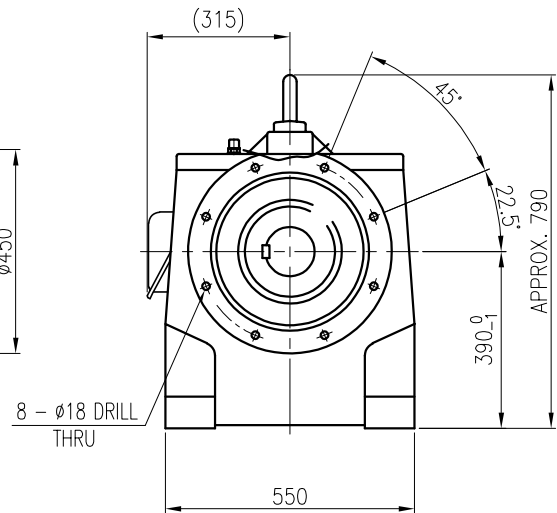
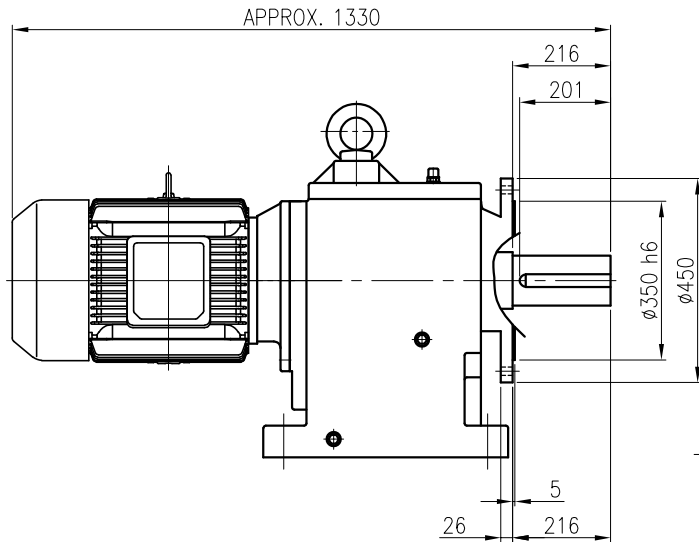


OUTPUT SHAFT

(28 x 16 x 187)



| | | | | | | |
|--------------|---------------------|--------------|--------|--------|------------------|--|
| | | BEARING | | | | |
| | | INPUT SHAFT | 6310ZZ | 6312ZZ | | |
| OIL SEAL | | 2ND PINION | 6310 | NJ310E | OIL : ISO VG 220 | |
| MOTOR SHAFT | D(M) 60 x 82 x 12 | 3RD PINION | NJ312E | NJ312E | ABOUT 55 l | |
| OUTPUT SHAFT | D(M) 125 x 200 x 14 | OUTPUT SHAFT | 22216 | 22222 | WEIGHT 767 kg | |

| | | | | | | | |
|---------------|--------------------------------------|--------------------------------|--|--|--|------------------------|------------|
| | | 외형도 OUTLINE DIMENSION | | | | | |
| | | DWG NAME | | | | UNIT | mm |
| | | DWG No. EK2D007282H0001 | | | | SCALE | 1:1 |
| No. | DATE | DESCRIPTION of REVISION | | | | DESIGNED | 2018-08-15 |
| A4(210X297mm) | FORM CE-14-0100-444 2013.11.20 | | | | | 2018.10.01 | 2018-08-15 |
| TYPE | | | | | | 2018.10.01 | 2018.10.01 |
| | | HFM39_180L(30kW)_40~50:1_Ntype | | | | THIRD ANGLE PROJECTION | |
| | | REF. No. (GKDS477G04) | | | | (A) | |

이 도면상에 표시된 정보는 표상정공명(寸)의 소유이며 당사의 사전 서면동의 없이 무단사용을 금합니다.