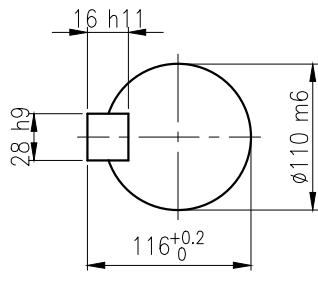
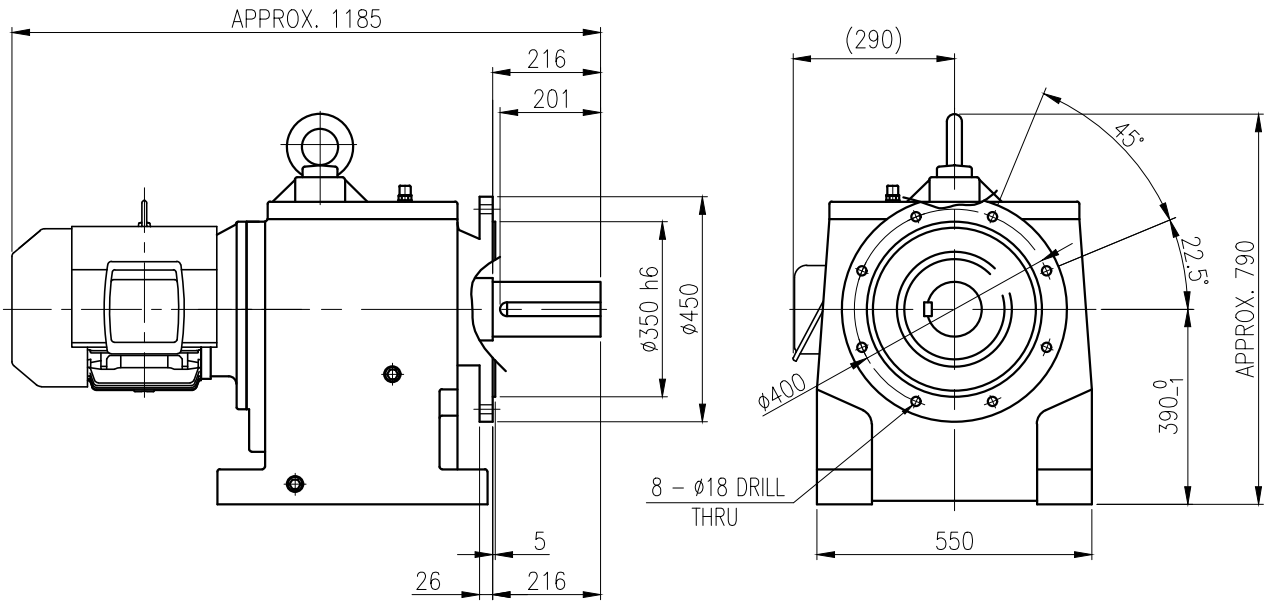


No.	NAME	MATERIAL	DWG/MATL No.	CODE	Q'TY	SIZE	WEIGHT	REMARK
					0			



**OUTPUT SHAFT**  
(28 x 16 x 187)

		BEARING				
		INPUT SHAFT	6309ZZ	6310ZZ		
OIL SEAL		2ND PINION	6310	NJ310E	OIL : ISO VG 220	
MOTOR SHAFT	D(M) 50 x 72 x 12	3RD PINION	NJ312E	NJ312E	ABOUT	55 l
OUTPUT SHAFT	D(M) 125 x 200 x 14	OUTPUT SHAFT	22216	22222	WEIGHT	640 kg

		외형도 OUTLINE DIMENSION					
		DWG No. <b>EK2DO07279W0001</b>				UNIT	mm
						SCALE	1:1
No.	DATE	DESCRIPTION of REVISION				DESIGNED	2018-08-15
A4(210x297mm) FORM CE-14-0100-4A4 2013.11.20	<b>HYOSUNG HEAVY INDUSTRIES</b>		2018.10.01	2018.10.01	2018.10.01	2018.10.01	DATE
			최성민	문병선	박희성	홍원철	REVISION No.
TYPE		HFM39_160M(11kW)_90~120:1_Ntype				THIRD ANGLE PROJECTION	
		REF. No.	(GKDS477G01)				(A)

The information written in this drawing is HYOSUNG HEAVY INDUSTRIES's property, and may not be disclosed and/or reproduced without the prior official permission of HYOSUNG HEAVY INDUSTRIES Corp.

이 도면상에 표시된 정보는 호성중공업(주)의 소유이며 당사의 사전 서면동의 없이 무단사용을 금합니다.