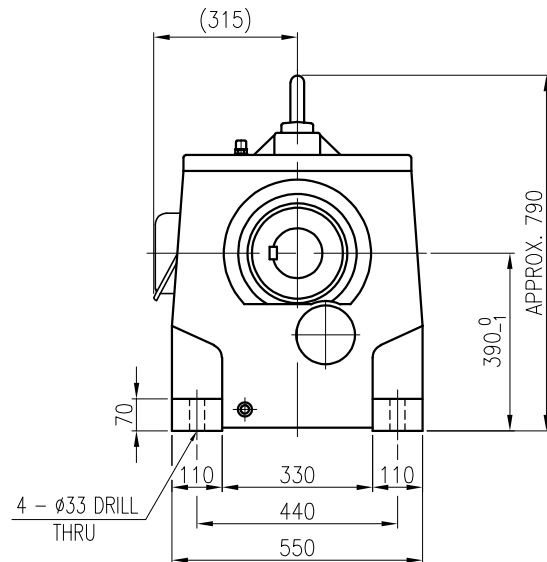
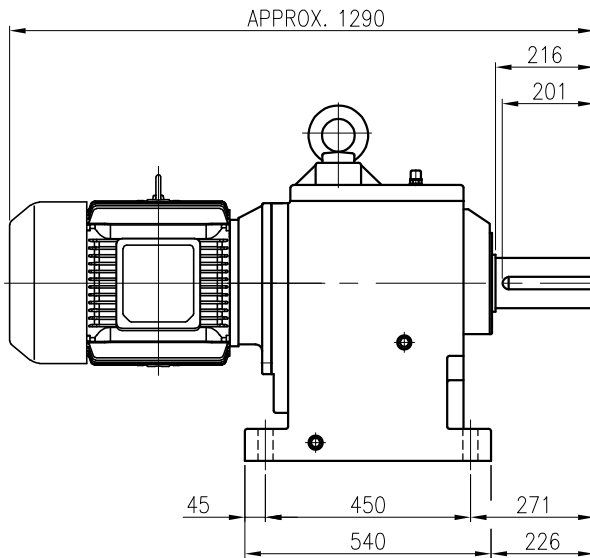


OUTPUT SHAFT

(28 x 16 x 187)



		BEARING				
		INPUT SHAFT	6310ZZ	6312ZZ		
OIL SEAL		2ND PINION	6310	NJ310E	OIL : ISO VG 220	
MOTOR SHAFT	D(M) 60 x 82 x 12	3RD PINION	NJ312E	NJ312E	ABOUT 55 l	
OUTPUT SHAFT	D(M) 125 x 200 x 14	OUTPUT SHAFT	22216	22222	WEIGHT 752 kg	

		외형도 OUTLINE DIMENSION					
		DWG No. EK2D007274H0001				UNIT	mm
						SCALE	1:1
No.	DATE	DESCRIPTION of REVISION				DESIGNED	2018-08-15
A4(210X297mm)	FORM CE-14-0100-444 2013.11.20					2018.10.01	2018-10-15
TYPE HHM39_180M(18.5kW/22kW)_60~80:1_Ntype						최성민	문병선
		REF. No. (GKDS473G03)				THIRD ANGLE PROJECTION	