

1	2	3	4	5				
No.	NAME	MATERIAL	DWG/MATL No.	CODE	Q'TY	SIZE	WEIGHT	REMARK
					0			

A

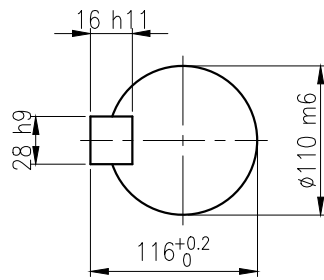
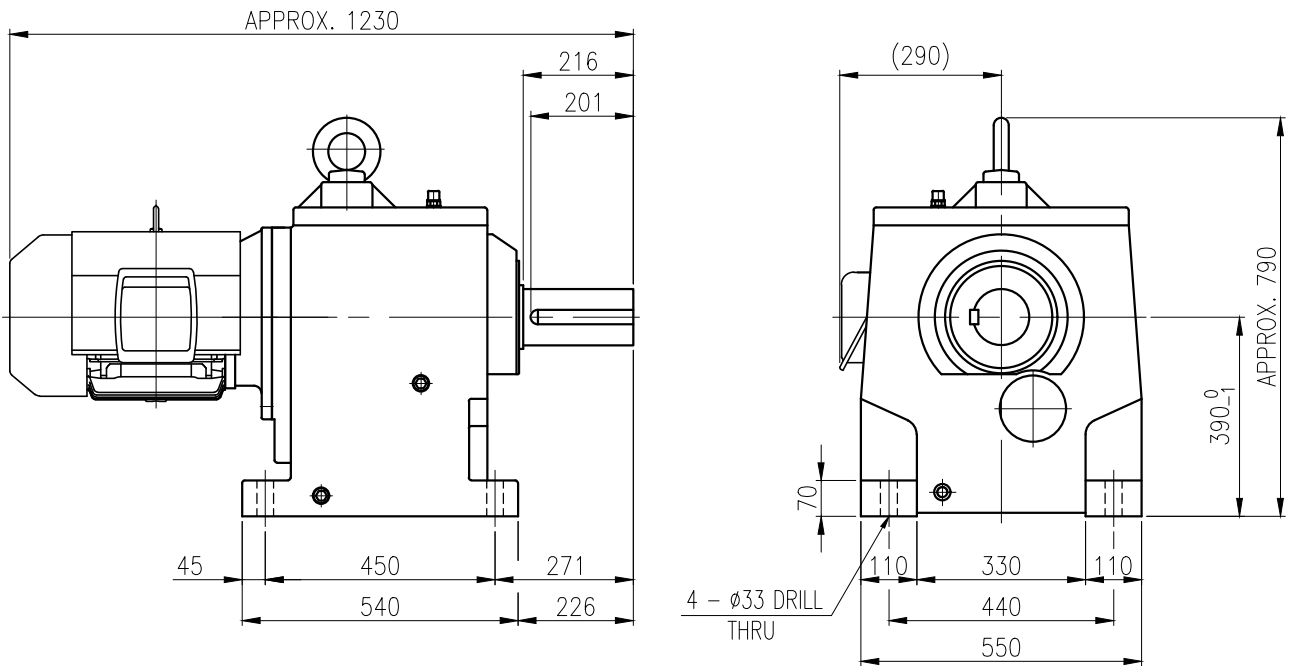
B

C

D

E

F



OUTPUT SHAFT

(28 x 16 x 187)

			BEARING		
			INPUT SHAFT	6309ZZ 6310ZZ	
	OIL SEAL		2ND PINION	6310 NJ310E	OIL : ISO VG 220
MOTOR SHAFT	D(M) 50 x 72 x 12		3RD PINION	NJ312E NJ312E	ABOUT 55 l
OUTPUT SHAFT	D(M) 125 x 200 x 14		OUTPUT SHAFT	22216 22222	WEIGHT 670 kg

		DWG NAME		외형도 OUTLINE DIMENSION	
		DWG No.		E K 2 D O 0 7 2 7 3 W 0 0 0 1	
		UNIT		mm	
		SCALE		1:1	
No.	DATE	DESCRIPTION of REVISION		DESIGNED	CHECKED
				2018.10.01	2018.10.01
				최성민	문병선
				2018.10.01	2018.10.01
				박희성	홍원철
				DATE	2018-08-15
				REVISION No.	01
				THIRD ANGLE PROJECTION	
A4(210x297mm)	FORM CE-14-0100-444 2013.11.20	TYPE HHM39_160L(15kW)_80~100:1_Ntype		REF. No.	(GKDS473G02)
				A	

이 도면상에 표시된 정보는 호성중공업(주)의 소유이며 당사의 사전 서면동의 없이 무단사용을 금합니다.