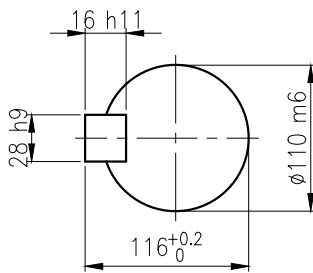
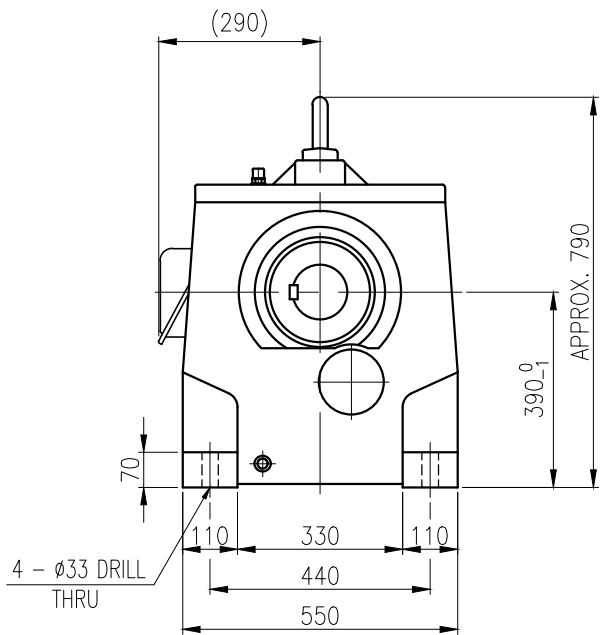
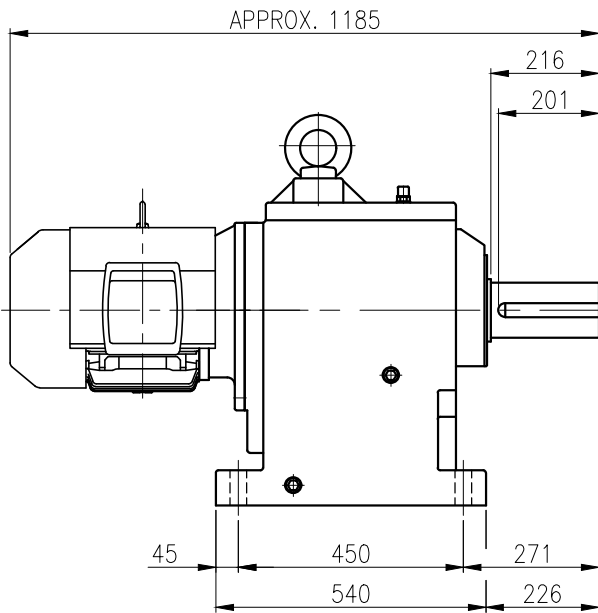


1	2	3	4	5				
No.	NAME	MATERIAL	DWG/MATL No.	CODE	Q'TY	SIZE	WEIGHT	REMARK
					0			



OUTPUT SHAFT

(28 x 16 x 187)

		BEARING			
		INPUT SHAFT	6309ZZ	6310ZZ	
OIL SEAL		2ND PINION	6310	NJ310E	OIL : ISO VG 220
MOTOR SHAFT	D(M) 50 x 72 x 12	3RD PINION	NJ312E	NJ312E	ABOUT 55 l
OUTPUT SHAFT	D(M) 125 x 200 x 14	OUTPUT SHAFT	22216	22222	WEIGHT 640 kg

		외형도 OUTLINE DIMENSION				DWG NAME	
		DWG No. EK2DO07272W0001				UNIT	mm
						SCALE	1:1
No.	DATE	DESCRIPTION of REVISION		DESIGNED	CHECKED	REVIEWED	APPROVED
A4(210x297mm)	FORM CE-14-0100-444 2013.11.20	HYOSUNG HEAVY INDUSTRIES		2018.10.01 최성민	2018.10.01 문병선	2018.10.01 박희성	2018.10.01 홍원철
TYPE		HHM39_160M(11kW)_90~120:1_Ntype		DATE	2018-08-15		REVISION No. 01
				REF. No.	(GKDS473G01)		THIRD ANGLE PROJECTION
							A

이 도면상에 표시된 정보는 호성중공업(주)의 소유이며 당사의 사전 서면동의 없이 무단사용을 금합니다.