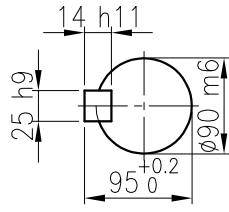
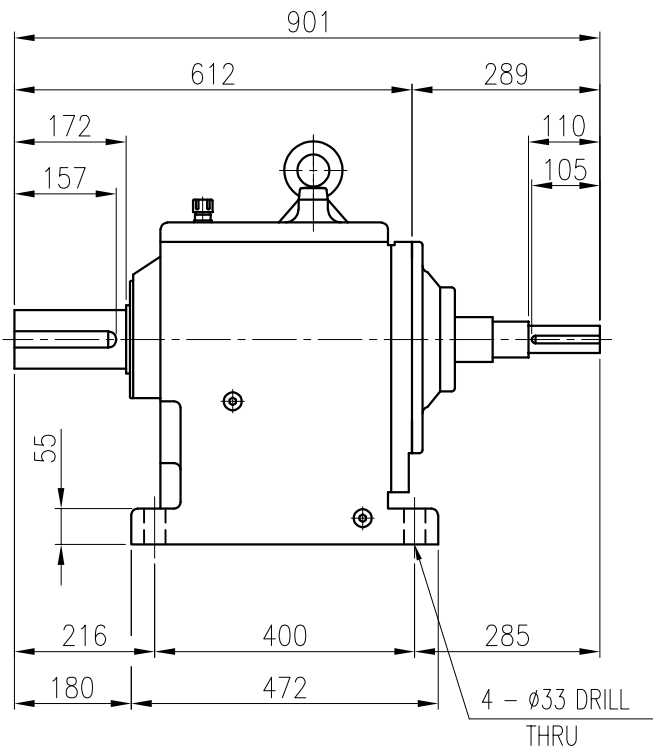
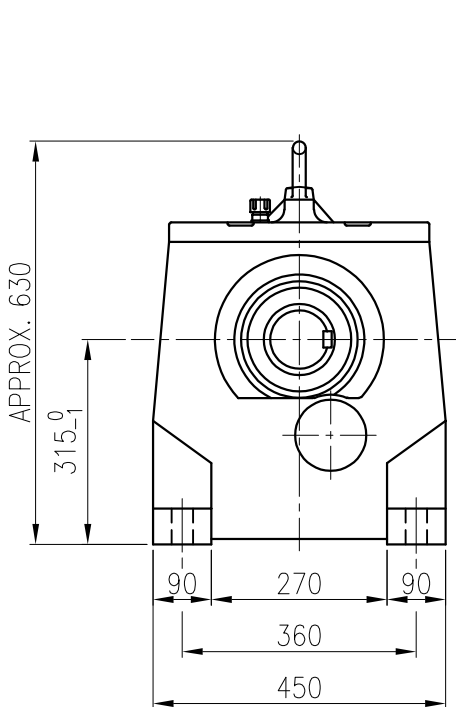
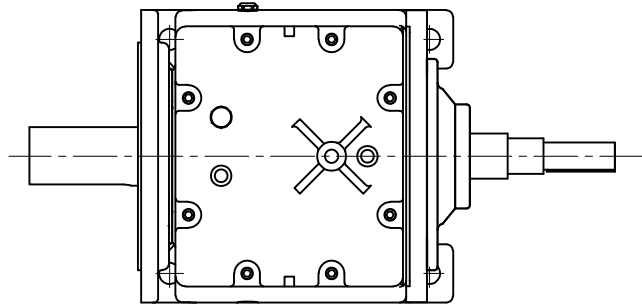


**INPUT SHAFT**  
(12 x 8 x 94)



**OUTPUT SHAFT**  
(25 x 14 x 144)



		BEARING			
		INPUT SHAFT	6311ZZ	6311ZZ	
	OIL SEAL	2ND PINION	6308	NJ308E	OIL : ISO VG 220
	MOTOR SHAFT D(M) 55 x 120 x 12	3RD PINION	NJ310E	NJ310E	ABOUT 22 l
	OUTPUT SHAFT D(M) 105 x 160 x 14	OUTPUT SHAFT	22212	22218	WEIGHT 360 kg

		DWG NAME				외형도 OUTLINE DIMENSION	
		DWG No. EK2D007270H0001				UNIT	mm
						SCALE	1:1
No.	DATE	DESCRIPTION of REVISION				DESIGNED	2018-08-15
A4(210x297mm)	FORM CE-14-0100-4A4 2013.11.20					CHECKED	2018-08-15
TYPE HH32_132M(7.5KW)_80~120_N tyoe						REVIEWED	2018-08-15
		REF. No.	(GKDS480)			REVISION No.	01
						THIRD ANGLE PROJECTION	

이 도면상에 표시된 정보는 호성중공업(주)의 소유이며 당사의 사전 서면동의 없이 무단사용을 금합니다.