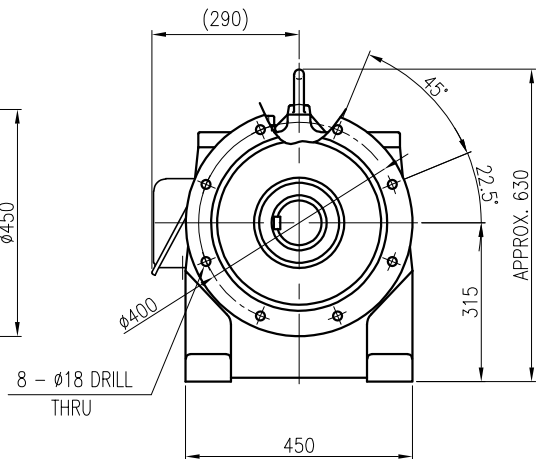
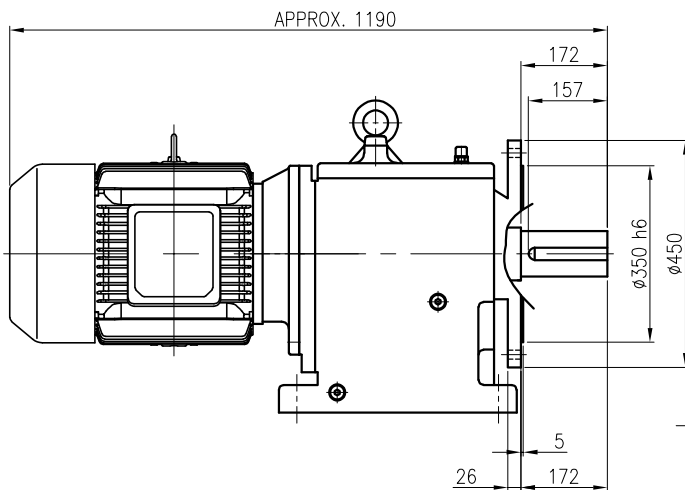


OUTPUT SHAFT
(25 x 14 x 144)



		BEARING				
		INPUT SHAFT	6310ZZ	6312ZZ		
OIL SEAL		2ND PINION	6308	NJ308E	OIL : ISO VG 220	
MOTOR SHAFT	D(M) 60 x 82 x 12	3RD PINION	NJ310E	NJ310E	ABOUT 22 l	
OUTPUT SHAFT	D(M) 105 x 160 x 14	OUTPUT SHAFT	22212	22218	WEIGHT 552 kg	

		외형도 OUTLINE DIMENSION					
		DWG No. EK2D007268H0001				UNIT	mm
						SCALE	1:1
No.	DATE	DESCRIPTION of REVISION		DESIGNED	CHECKED	REVIEWED	APPROVED
A4(210x297mm)	FORM CE-14-0100-4A4 2013.11.20	HYOSUNG HEAVY INDUSTRIES		2018.10.01 최성민	2018.10.01 문병선	2018.10.01 박희성	2018.10.01 홍원철
TYPE		HFM32_180M(18.5kW/22kW)_40~50:1_Ntype		REF. No.		(GKDS476G04)	
						DATE	2018-08-15
						REVISION No.	01
						THIRD ANGLE PROJECTION	
						(A)	

이 도면상에 표시된 정보는 표정중공업(주)의 소유이며, 당사의 사전 서면동의 없이 무단사용을 금합니다.