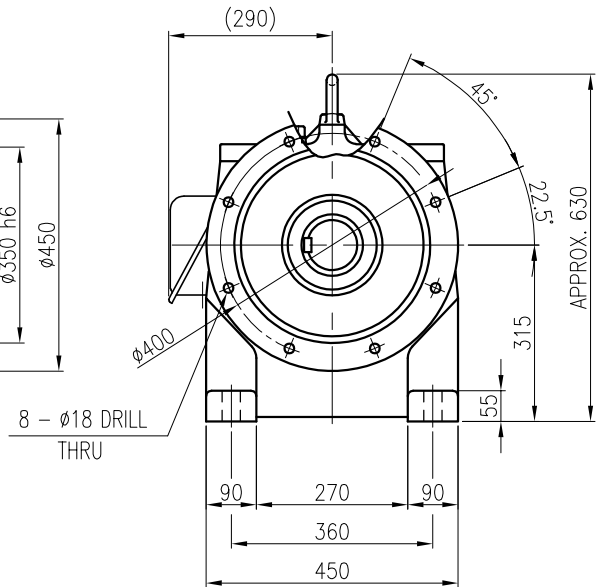
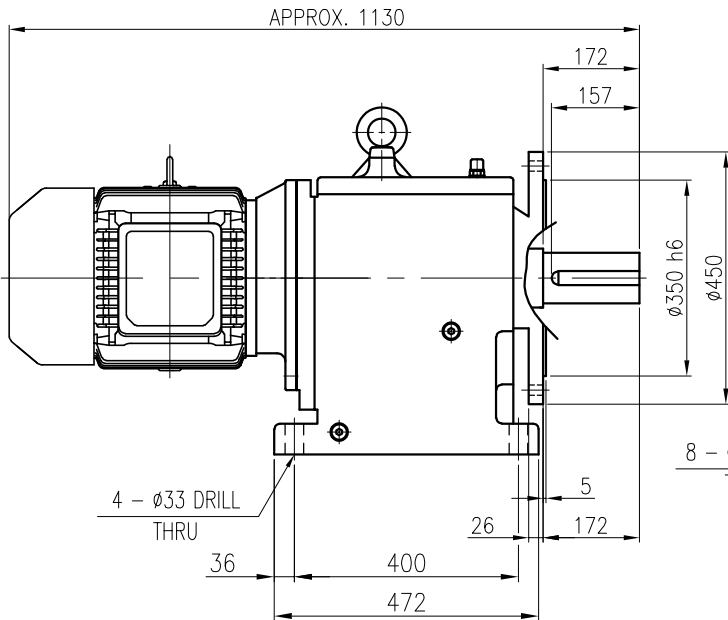


OUTPUT SHAFT
(25 x 14 x 144)



		BEARING				
		INPUT SHAFT	6309ZZ	6310ZZ		
OIL SEAL		2ND PINION	6308	NJ308E	OIL : ISO VG 220	
MOTOR SHAFT	D(M) 50 x 72 x 12	3RD PINION	NJ310E	NJ310E	ABOUT 22 l	
OUTPUT SHAFT	D(M) 105 x 160 x 14	OUTPUT SHAFT	22212	22218	WEIGHT 475 kg	

		외형도 OUTLINE DIMENSION					
		DWG No. EK2D007267H0001				UNIT	mm
						SCALE	1:1
No.	DATE	DESCRIPTION of REVISION				DESIGNED	2018-08-15
A4(210x297mm)	FORM CE-14-0100-4A4 2013.11.20					2018.10.01	2018-08-15
TYPE HFM32_160L(15kW)_40~60:1_Ntype						2018.10.01	2018.10.01
		REF. No. (GKDS476G03)				THIRD ANGLE PROJECTION	
						(A)	

The information written in this drawing is HYOSUNG HEAVY INDUSTRIES's property, and may not be disclosed and/or reproduced without the prior official permission of HYOSUNG HEAVY INDUSTRIES Corp.

이 도면상에 표시된 정보는 호성중공업(주)의 소유이며 당사의 사전 서면동의 없이 무단사용을 금합니다.