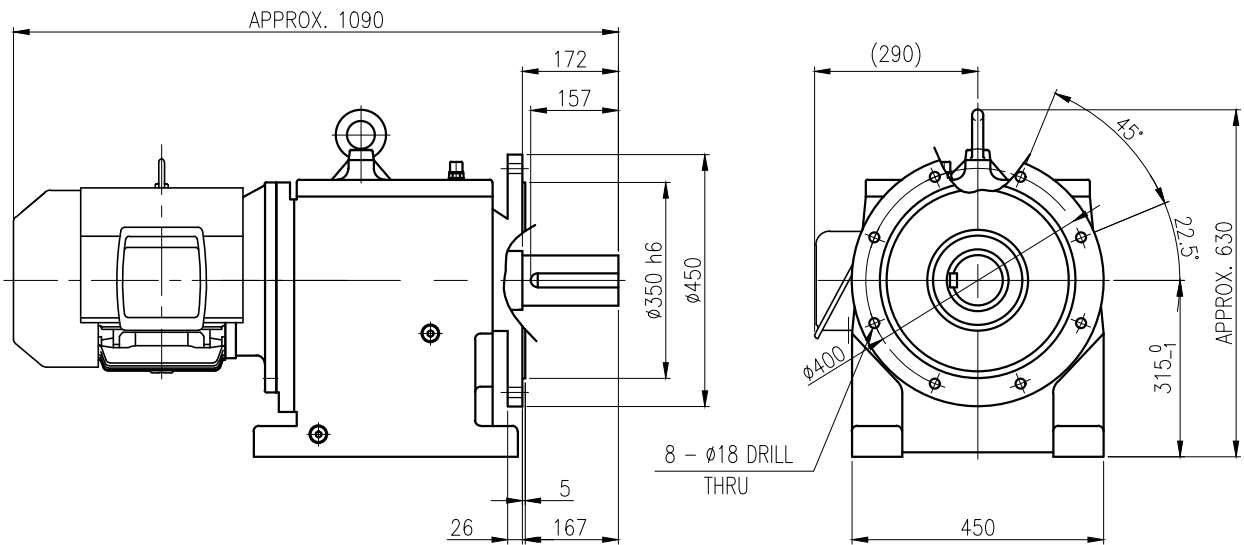


1	2	3	4	5				
No.	NAME	MATERIAL	DWG/MATL No.	CODE	Q'TY	SIZE	WEIGHT	REMARK
					0			



OUTPUT SHAFT
(25 x 14 x 144)

		BEARING				
		INPUT SHAFT	6309ZZ	6310ZZ		
OIL SEAL		2ND PINION	6308	NJ308E	OIL : ISO VG 220	
MOTOR SHAFT	D(M) 50 x 72 x 12	3RD PINION	NJ310E	NJ310E	ABOUT 22 l	
OUTPUT SHAFT	D(M) 105 x 160 x 14	OUTPUT SHAFT	22212	22218	WEIGHT 450 kg	

		DWG NAME		외형도 OUTLINE DIMENSION			
		DWG No.		EK2DO07266W0001		UNIT	mm
						SCALE	1:1
No.	DATE	DESCRIPTION of REVISION		DESIGNED	CHECKED	REVIEWED	APPROVED
A4(210X297mm)	FORM CE-14-0100-444 2013.11.20	HYOSUNG HEAVY INDUSTRIES		2018.10.01 최성민	2018.10.01 문병선	2018.10.01 박희성	2018.10.01 홍원철
TYPE		HFM32_160M(11kW)_80:1_Ntype		DATE	2018-08-15		REVISION No.
						01	
						THIRD ANGLE PROJECTION	
				REF. No.	(GKDS476G02)		(A)

The information written in this drawing is HYOSUNG HEAVY INDUSTRIES's property, and may not be disclosed and/or reproduced without the prior official permission of HYOSUNG HEAVY INDUSTRIES Corp.

이 도면상에 표시된 정보는 호성중공업(주)의 소유이며 당사의 사전 서면동의 없이 무단사용을 금합니다.