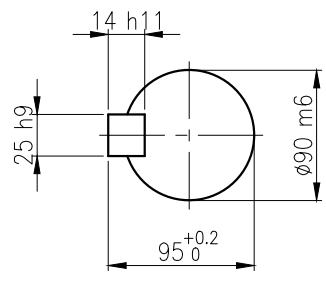
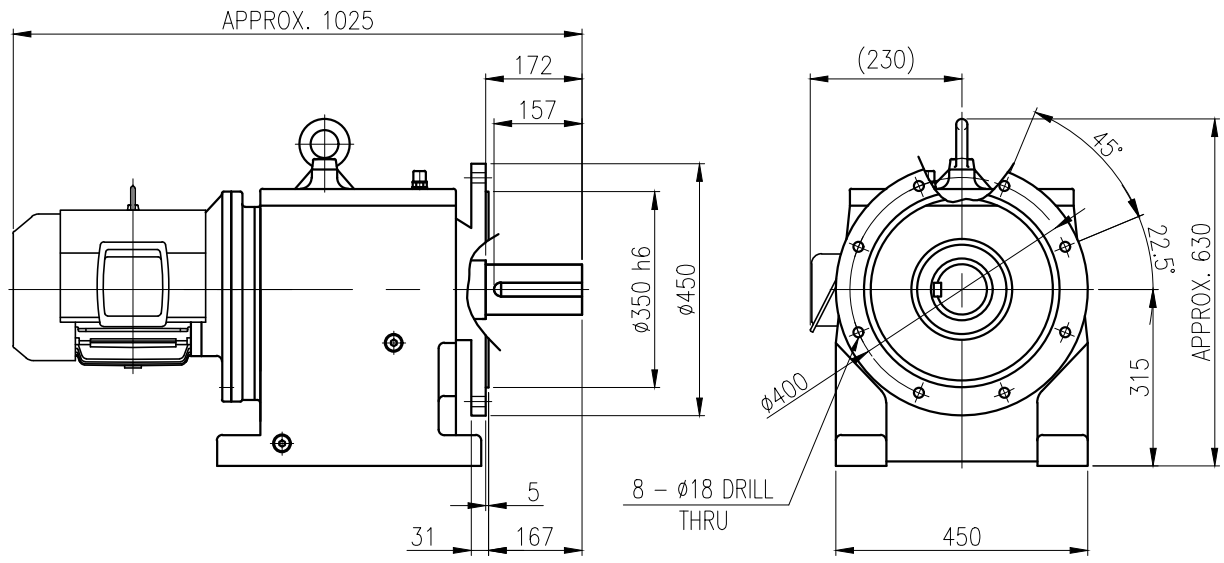


1	2	3	4	5				
No.	NAME	MATERIAL	DWG/MATL No.	CODE	Q'TY	SIZE	WEIGHT	REMARK
					0			



OUTPUT SHAFT
(25 x 14 x 144)

			BEARING		
			INPUT SHAFT	6207ZZ 6308ZZ	
OIL SEAL			2ND PINION	6308 NJ308E	OIL : ISO VG 220
MOTOR SHAFT	D(M) 40 x 62 x 11		3RD PINION	NJ310E NJ310E	ABOUT 22 l
OUTPUT SHAFT	D(M) 105 x 160 x 14	OUTPUT SHAFT	22212 22218		WEIGHT 420 kg

		DWG NAME		외형도 OUTLINE DIMENSION			
		DWG No.		EK2DO07265W0001		UNIT	mm
						SCALE	1:1
No.	DATE	DESCRIPTION of REVISION		DESIGNED	CHECKED	REVIEWED	APPROVED
				2018.10.01	2018.10.01	2018.10.01	2018.10.01
				최성민	문병선	박희성	홍원철
				DATE	2018-08-15		
				REVISION No.	01		
				THIRD ANGLE PROJECTION			
				REF. No.	(GKDS476G01)		(A)

TYPE HFM32_132M(7.5kW)_80~120:1_Ntype

이 도면상에 표시된 정보는 호성중공업(주)의 소유이며 당사의 사전 서면동의 없이 무단사용을 금합니다.