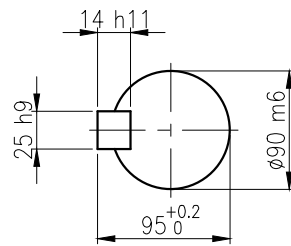
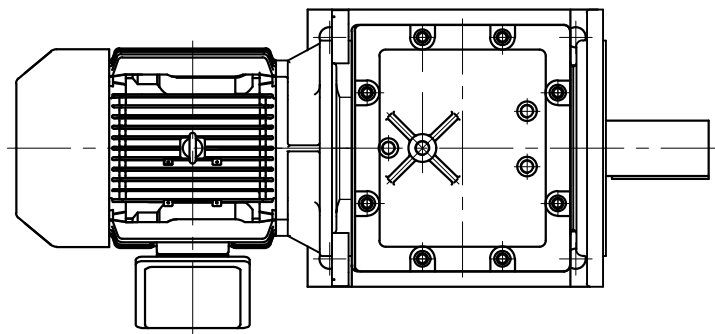
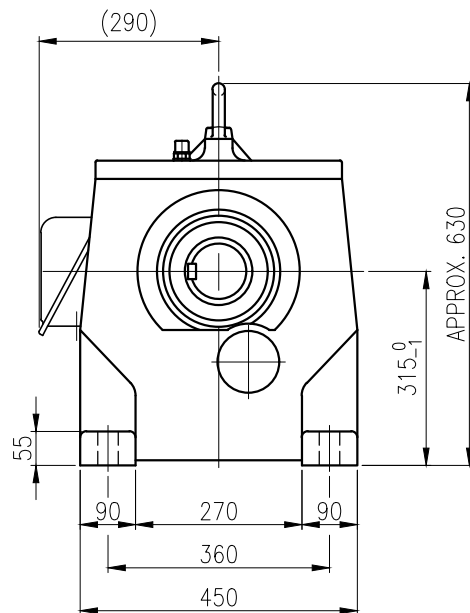
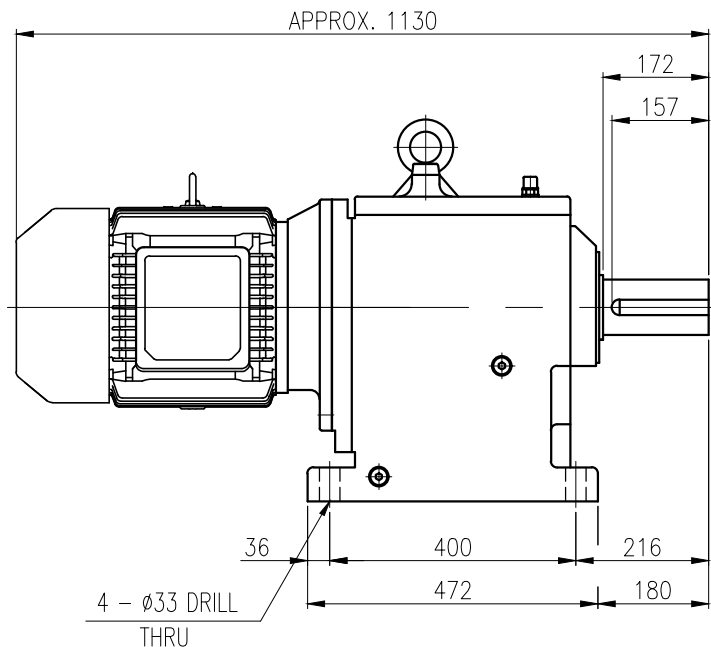


1	2	3	4	5				
No.	NAME	MATERIAL	DWG/MATL No.	CODE	Q'TY	SIZE	WEIGHT	REMARK
					0			



**OUTPUT SHAFT**  
(25 x 14 x 144)



			BEARING		
			INPUT SHAFT	6309ZZ 6310ZZ	
		OIL SEAL	2ND PINION	6308 NJ308E	OIL : ISO VG 220
		MOTOR SHAFT	3RD PINION	NJ310E NJ310E	ABOUT 22 l
		OUTPUT SHAFT	OUTPUT SHAFT	22212 22218	WEIGHT 475 kg

		DWG NAME		외형도 OUTLINE DIMENSION			
		DWG No.		<b>EK2DO07262H0001</b>		UNIT	mm
						SCALE	1:1
No.	DATE	DESCRIPTION of REVISION		DESIGNED	CHECKED	REVIEWED	APPROVED
				2018.10.01	2018.10.01	2018.10.01	2018.10.01
				최성민	문병선	박희성	홍원철
						DATE	2018-08-15
						REVISION No.	01
						THIRD ANGLE PROJECTION	
		TYPE		REF. No.			
		HHM32_160L(15kW)_40~60:1_Ntype		(GKDS472G03)		A	

이 도면상에 표시된 정보는 최종공정(수)의 소유이며 당사의 사전 서면동의 없이 무단사용을 금합니다.