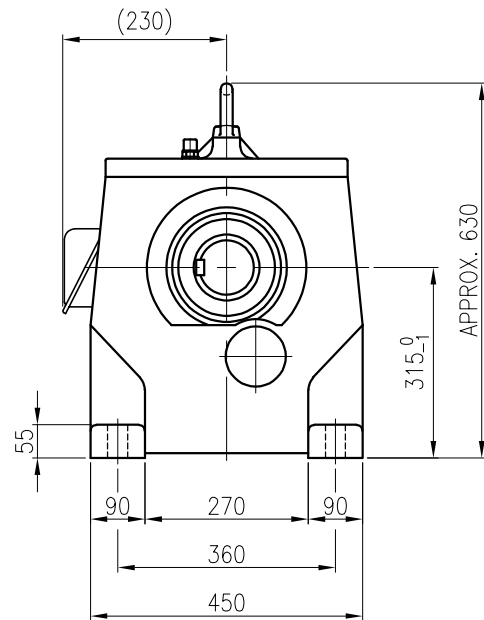
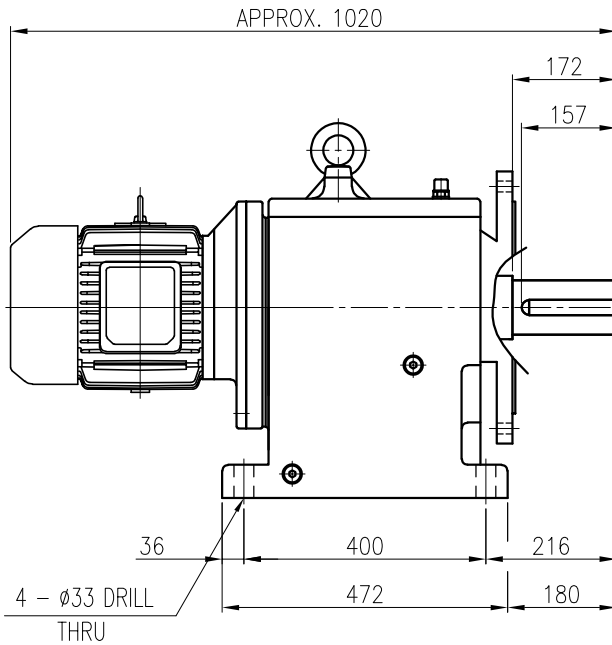


OUTPUT SHAFT
(25 x 14 x 144)



		BEARING			
		INPUT SHAFT	6207ZZ	6308ZZ	
OIL SEAL		2ND PINION	6308	NJ308E	OIL : ISO VG 220
MOTOR SHAFT	D(M) 40 x 62 x 11	3RD PINION	NJ310E	NJ310E	ABOUT 22 l
OUTPUT SHAFT	D(M) 105 x 160 x 14	OUTPUT SHAFT	22212	22218	WEIGHT 420 kg

		외형도 OUTLINE DIMENSION				DWG NAME	
		DWG No. EK2D007260H0001				UNIT	mm
						SCALE	1:1
No.	DATE	DESCRIPTION of REVISION				DESIGNED	2018-08-15
A4(210X297mm) FORM CE-14-0100-444 2013.11.20						2018.10.01	2018-08-15
	TYPE					HHM32_132M(7.5kW)_80~120:1_Ntype	REVISION No.
		REF. No.	(GKDS472G01)			THIRD ANGLE PROJECTION	