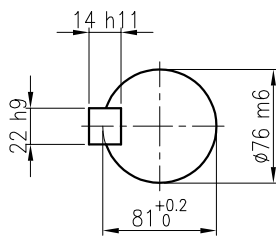
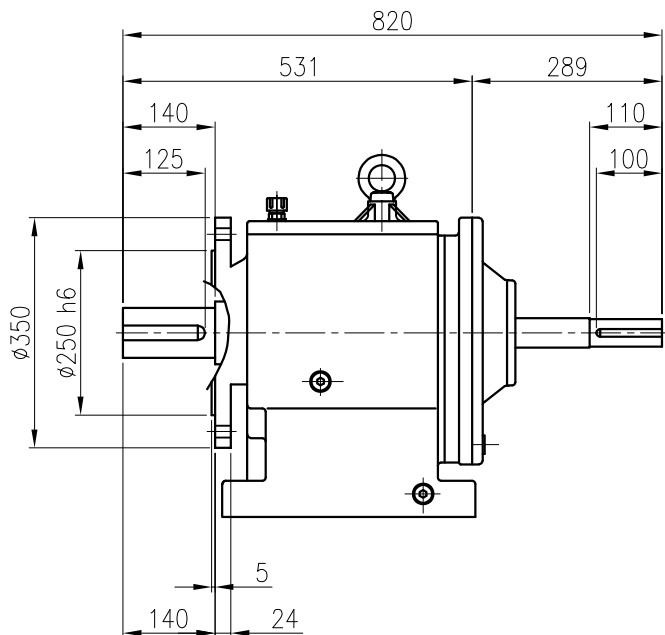
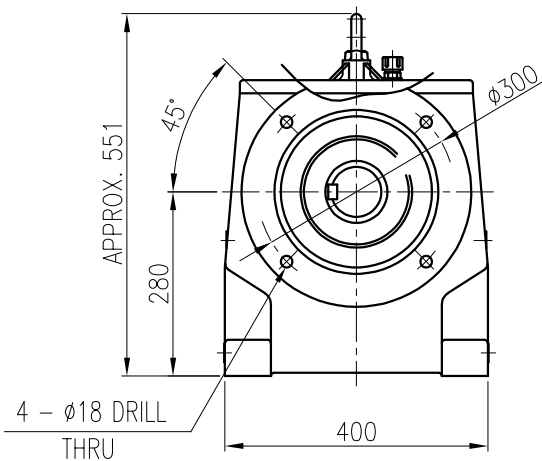
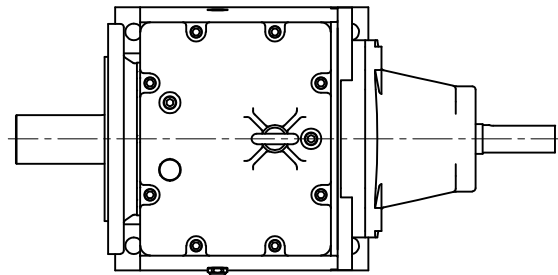


INPUT SHAFT
(12x8x94)



OUTPUT SHAFT
(22x14x114)



BEARING			
INPUT SHAFT	6309ZZ	6309ZZ	
2ND PINION	6307	NJ307E	
3RD PINION	NJ309E	NJ309E	
OUTPUT SHAFT	22211	22216	

OIL SEAL		2ND PINION	6307	NJ307E	GREASE : NLGI(EP)00
MOTOR SHAFT	D(M) 45 x 100 x 12	3RD PINION	NJ309E	NJ309E	ABOUT 14 l
OUTPUT SHAFT	D(M) 95 x 140 x 13	OUTPUT SHAFT	22211	22216	WEIGHT 250 kg

외형도 OUTLINE DIMENSION						
DWG No.	EK2D007259H0001				UNIT	mm
					SCALE	1:1
DESIGNED	CHECKED	REVIEWED	APPROVED	DATE	2018-08-15	
2018.10.01 최성민	2018.10.01 문병선	2018.10.01 박희성	2018.10.01 홍원철	REVISION No.	01	
REF. No.				(GKDS483)		(A)

HYOSUNG HEAVY INDUSTRIES

TYPE HF28_132S(5.5KW)_80~120:1_N type